

DRAFT
THIS VERSION OF THE DOCUMENT
IS UNDER DEVELOPMENT
USE AT YOUR OWN RISK



User Guide Hardware Kiosk installation
Duo 6020-6030



Table of content

Chapter 1 : Mounting kiosk - Cabinet & Front plate

1 - Receiving the kiosk	p.1
- Presentation	
2 - Unpacking the kiosk	p.2
- Instructions	
3 - Cable support Positioning	p.3
- Overview	
- Attaching the cable support - Version Duo 6020	
- Attaching the cable support - Version Duo 6030	
4 - Cabinet Locking	p.7
- Overview	
- Front drawer dimensions	
5 - Contact information	p.9
- What are the reasons for contacting us ?	

Chapter 2 : Carpentry - For cabinet makers & carpenters

6 - Hardware presentation	p.11
- Duo 6020 Front side Opening	
- Steps of integration (example)	
7 - Installation & Dimensions	p.13
8 - Cabling & Ventilation system	p.15
- Overview	
- Cut-out for cable ducts	
- Overview	
- Cut-out for ventilation hole	
9 - Location of the Modules on the furniture shelf	p.19
- All configurations	
- Passport Scanner location	
- QR Code Reader location	
- Screen Support for 15" screen location	
- Screen Support for 19 - 22" screen location	
- Recessed Payment device location	
- Payment device on foot location	
10 - Passport Scanner integration	p.27
- Overview	
- Cut-out for Passport Scanner	
- Example	

Table of content

11 - QR Code Reader integration	p.30
- Overview	
- Cut-out for QR Code Reader	
- Example	
12 - Screen support integration for 15” screen	p.33
- Overview	
- Cut-out for screen support	
- Example	
13 - Screen support integration for 19 - 22” screen	p.36
- Overview	
- Cut-out for screen support	
- Example	
14 - Recessed Payment device integration	p.39
- Overview	
- Cut-out for recessed payment device	
- Example	
15 - Payment device on Foot integration	p.42
- Overview	
- Cut-out for Yomani or Lane 3000 payment device stands	
- Cut-out for Pax A35 or Verifone P400 VSE terminals	
- Example	

CHAPTER 2

Mounting Kiosk

Cabinet & Front plate

1 - Receiving the kiosk

Presentation

1- Visually inspect the package before opening it

2- Inspect the contents of the package by referring to the bill of material

If the package you've received has one or more damages (holes, dents, etc.), you have to put a reserve on the goods.

The reserve is written at the time of delivery on the consignment note or receipt, dated the day of delivery. It should be similar to a photo of the goods, and should clearly describe the damage to the goods (not just the packaging), with the reference number or name of the parts concerned.

Please also take photos of the damage.

Please contact ARIANE SYSTEMS (technique@ariane.com) to report the damages.

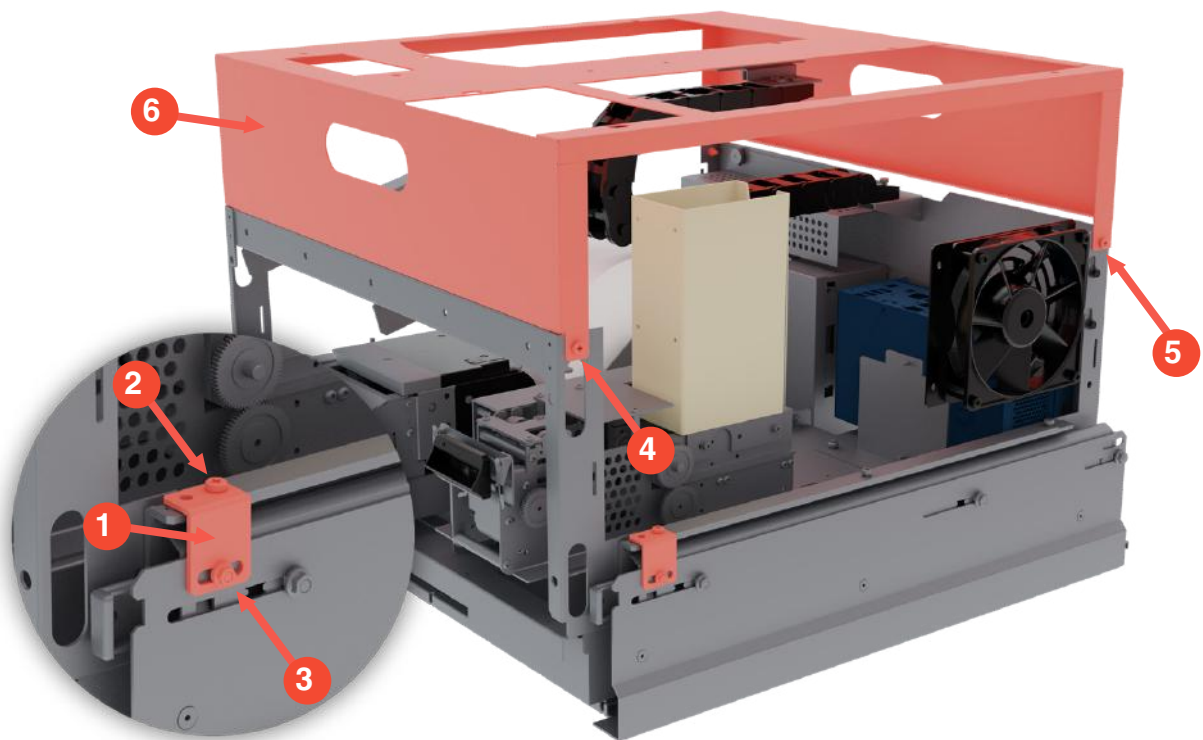
3- Keep the shipping box until installation is complete.

The box can be used in the event of a return (for whatever reason).



2 - Unpacking the kiosk

Instructions



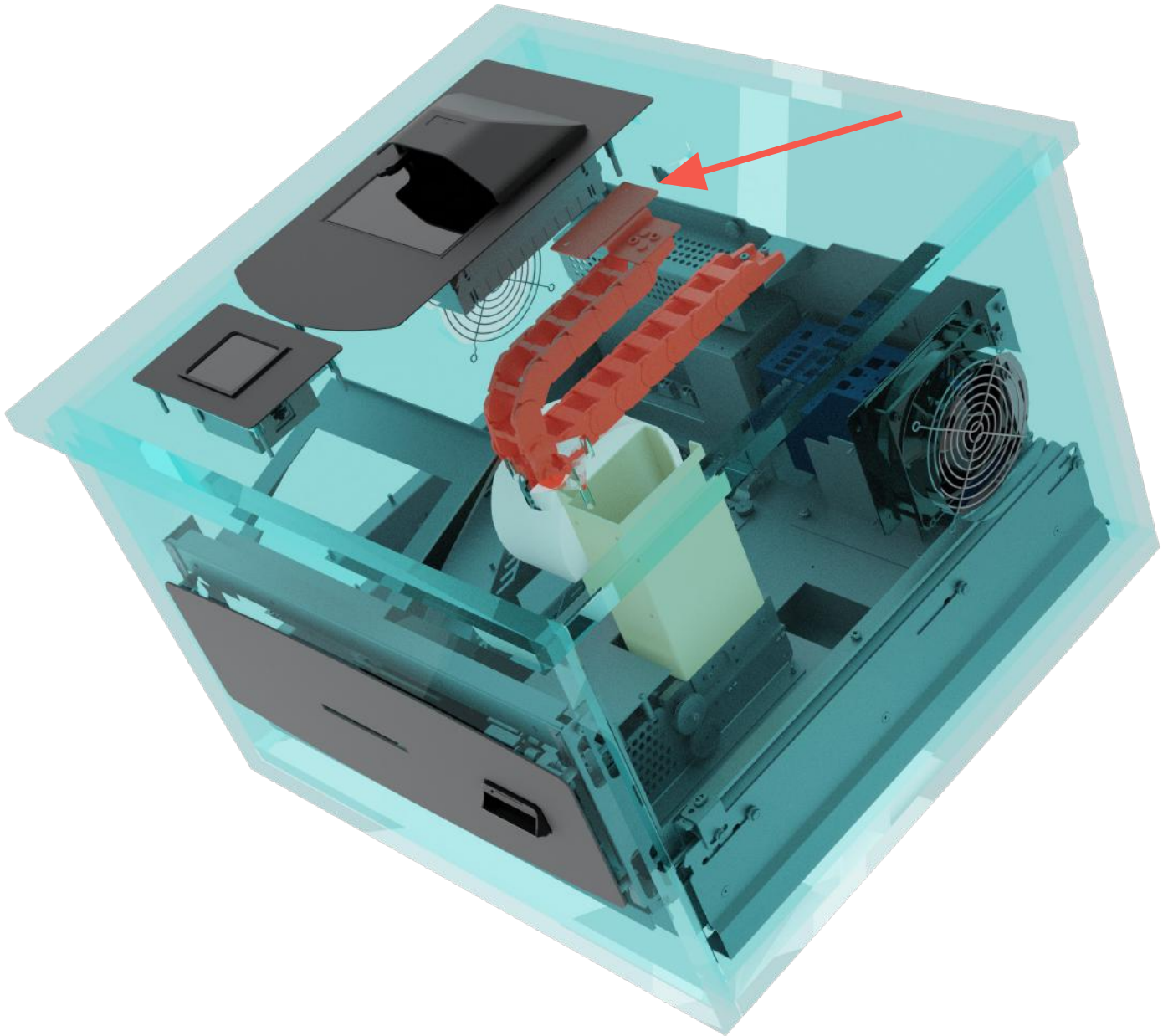
Specific requirements

- Remove the 2 retaining brackets (1) using the 2 nuts (3) and 2 screws (2) located on the left and right sides of the chassis (A) then discard them.
- Remove the top part (6) from the chassis using the 2 screws (4-5)
- Insert the kiosk into the cabinet.

3 - Cable Support positioning

Overview

The cable support is used to protect the wiring of top-mounted units from mechanical damage. It must be fixed under the top surface and must be able to move freely when the drawer is open. All cables must be routed inside the cable support.



Specific requirements

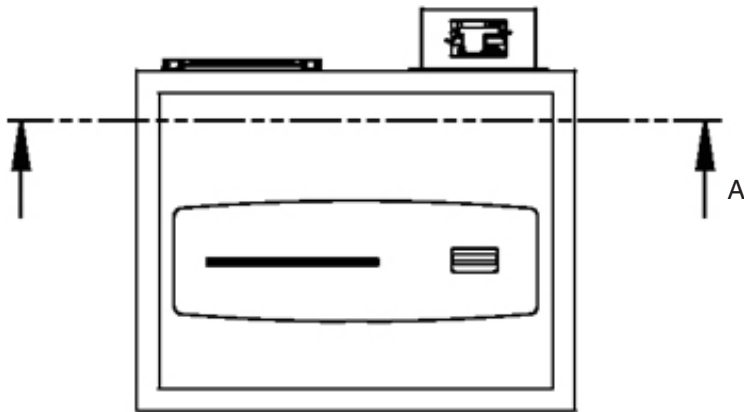
The cable support must be aligned with the edge of the top plate; the thickness of the door must be taken into account.

3 - Cable Support positioning

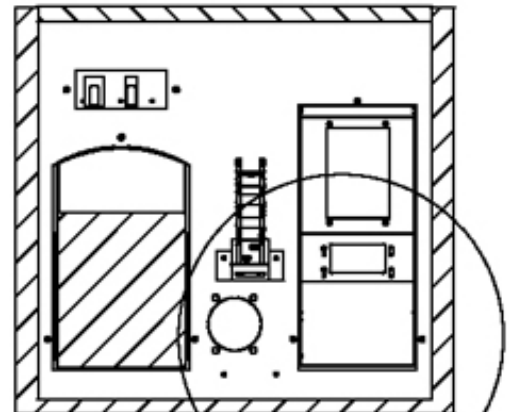
Attaching the cable support
version Duo 6020 - Front opening

MOUNTING

FRONT VIEW

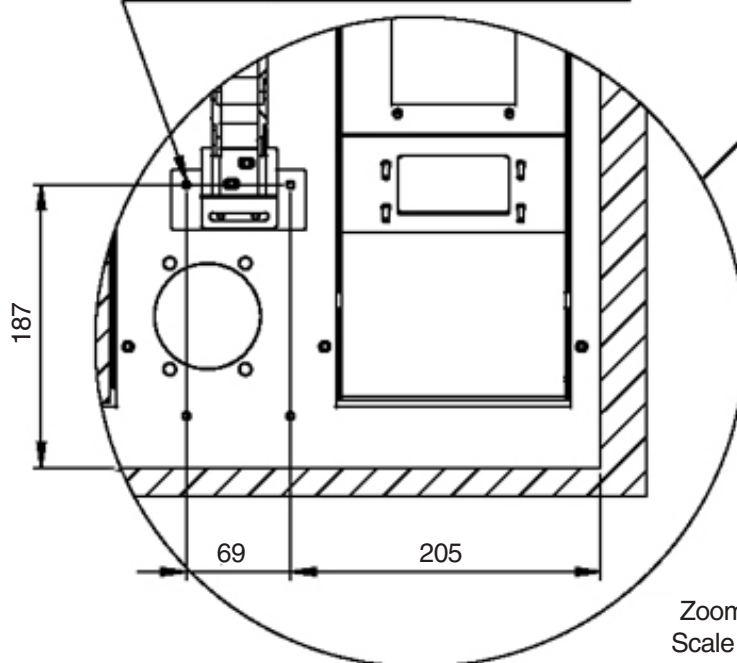


VIEW FROM UNDERNEATH



Section A-A
Scale 1: 10

2 non-through holes

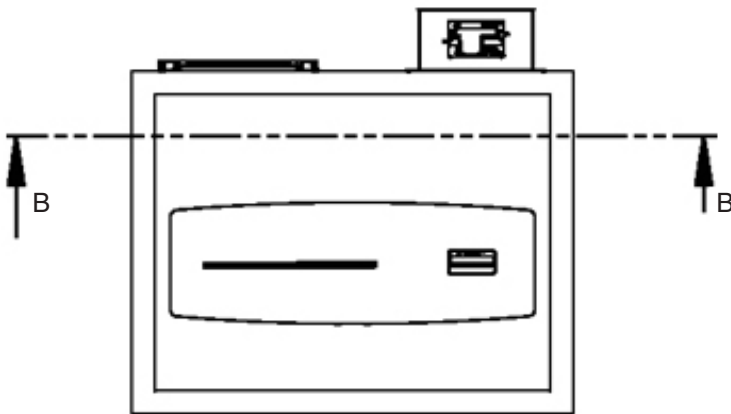


Zoom-in
Scale 1: 5

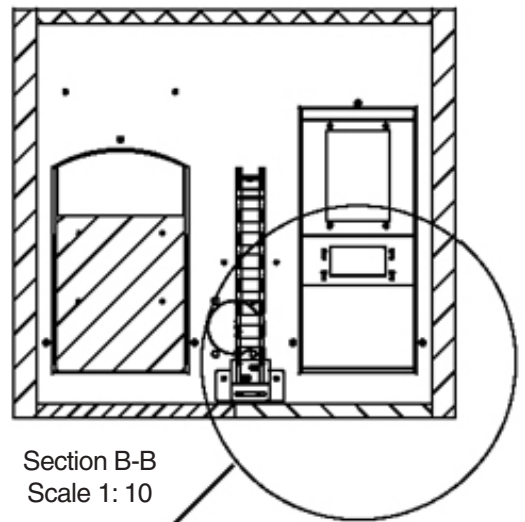
3 - Cable Support positioning

Attaching the cable support
version Duo 6030 - Rear opening

FRONT VIEW

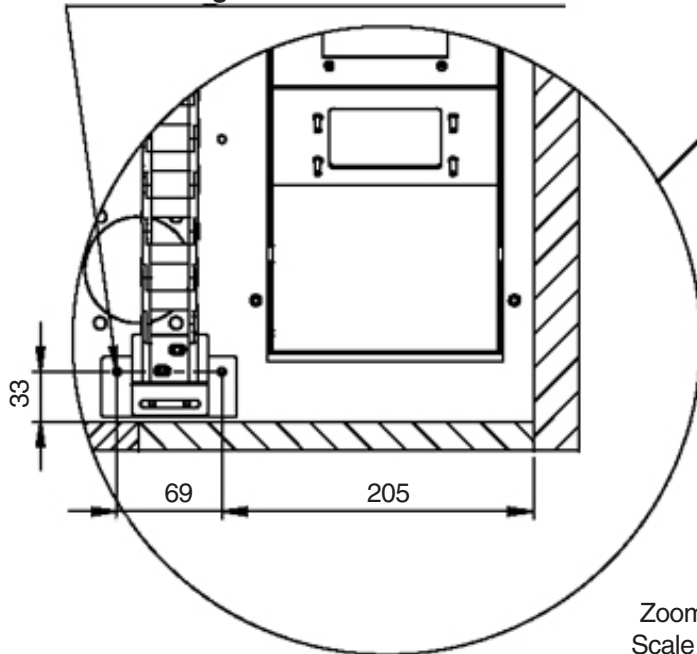


VIEW FROM UNDERNEATH



Section B-B
Scale 1: 10

2 non-through holes



Zoom-in
Scale 1: 5

3 - Cable Support positioning

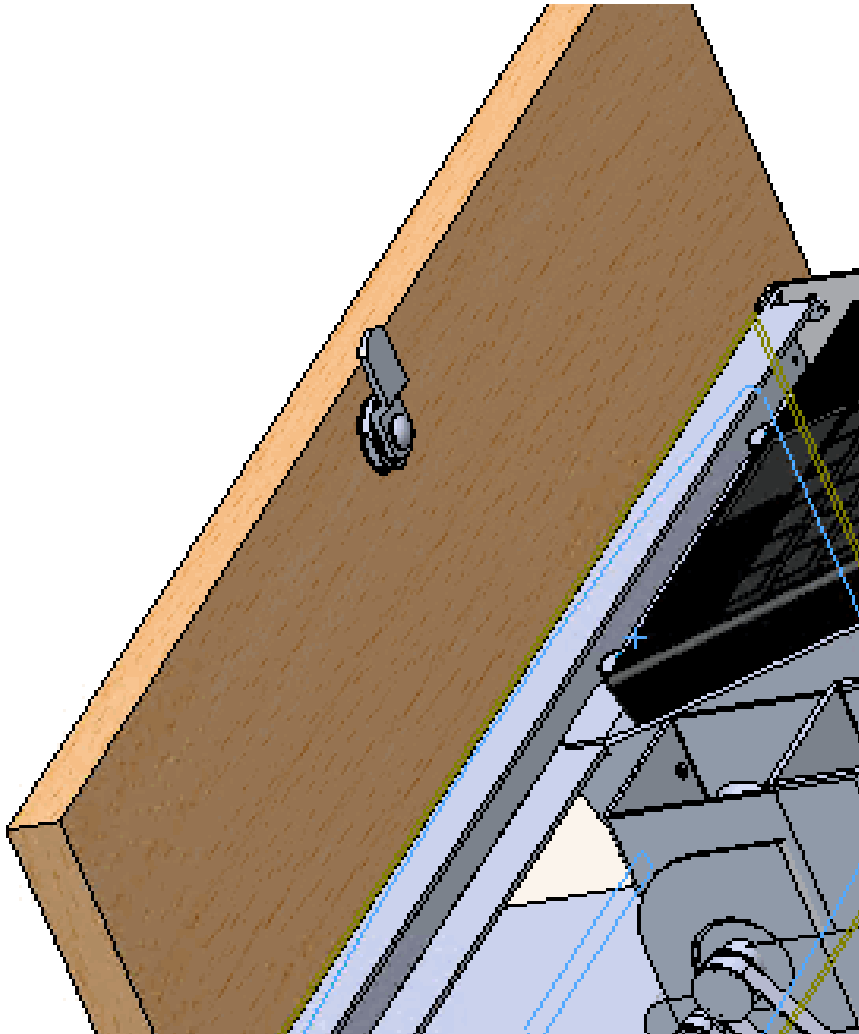
Example



MOUNTING

4 - Cabinet locking

Overview

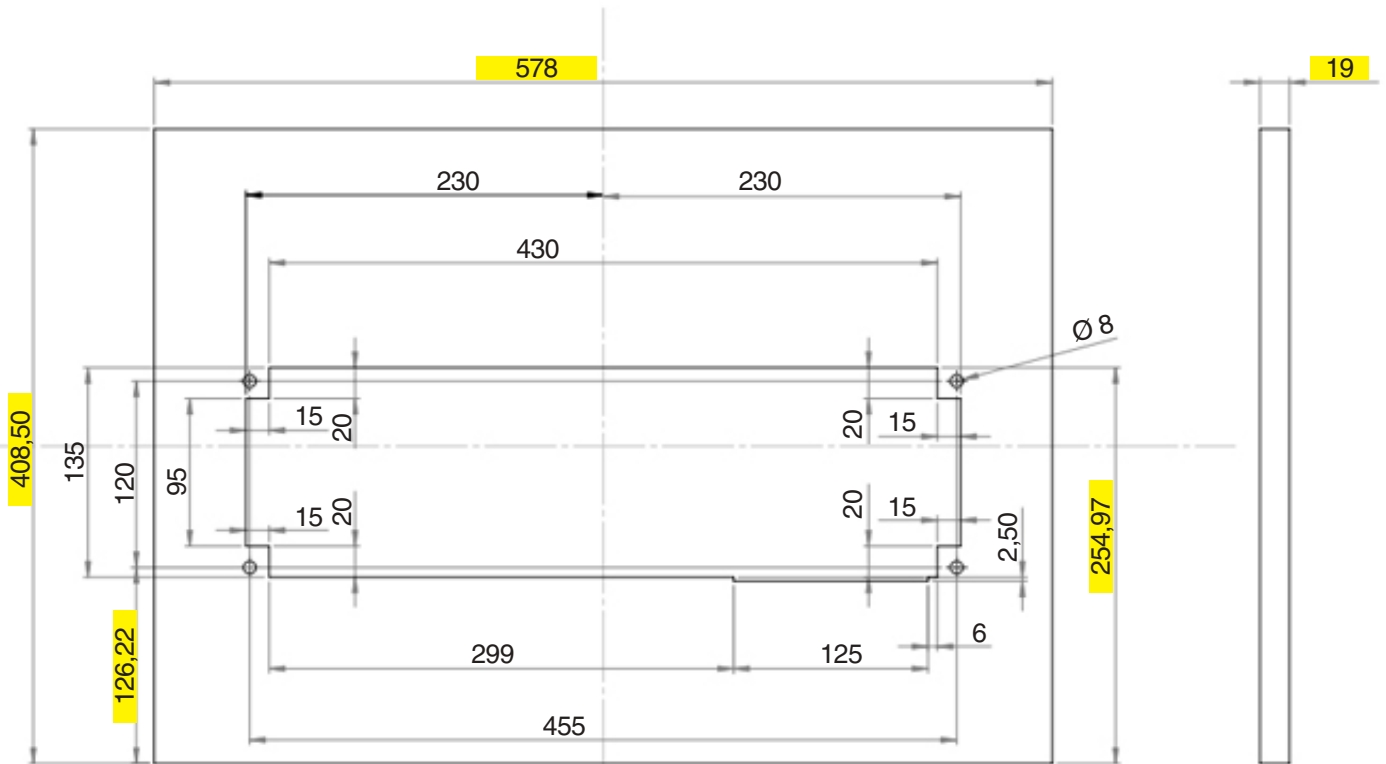


Specific requirements

Install a lock for security and safety purposes (not supplied).

4 - Cabinet locking

Front drawer dimensions



Specific requirements

The dimensions highlighted in yellow must be adapted to the thickness of the cabinet side panels. In this example, all the cabinet panels are 19 mm thick.

5 - Contact information

What are the reasons for contacting us?

If the package you've received has one or more damages (holes, dents, etc.), you have to put a reserve on the good. For more details go to **page 1**.

North America

If any parts are missing from your order nor if you have any questions about installation or how to proceed, please contact Chris Roberts: croberts@ariane.com

For all other queries, including those relating to **Professional services**, please contact us directly.

EMEA (Europe, Middle East and Africa)

If any parts are missing from your order nor if you have any questions about installation or how to proceed, please contact Technical services: technique@ariane.com

For all other queries, including those relating to **Professional services**, please contact us directly.



CHAPTER 1

Carpentry

For cabinet makers & carpenters

6 - Hardware presentation

Duo 6020 - Front side opening



6 - Hardware presentation

Steps of integration (example)



1 - Empty cabinet



2 - Installation of fixed chassis



3 - Installation of the upper components



4 - Drawer installation



5 - Installation of front door



6 - Facade mounting



7 - Installation complete (2 different examples)

7 - Installation & dimensions

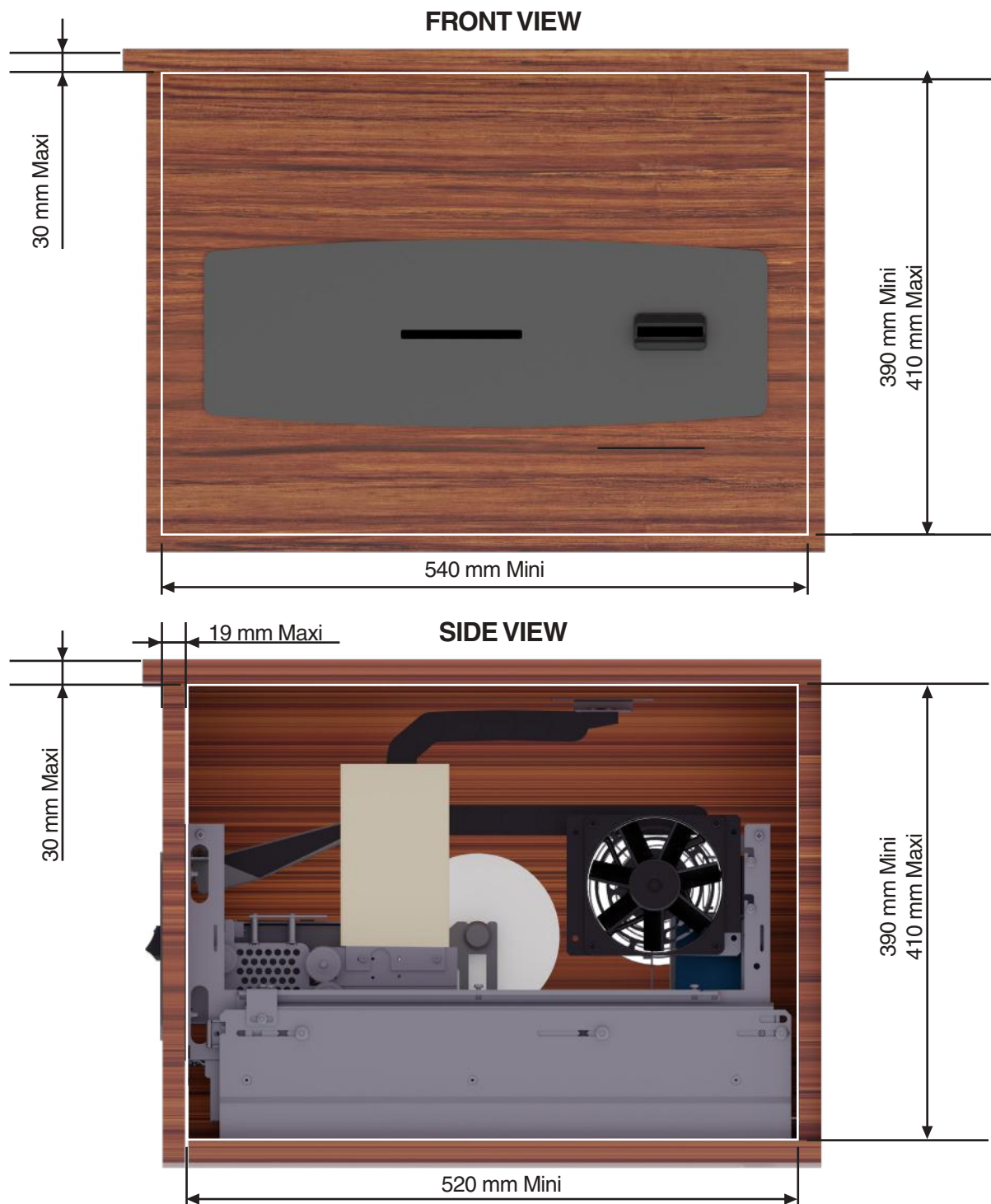


Minimum required

Width : 540mm
Depth : 520mm
Height : 390mm

Ariane strongly advises maintaining a 3 mm gap on all sides to allow for effective air circulation and prevent overheating.

7 - Installation & dimensions



Specific requirements

Maximum thickness of top and drawer front:

30 mm maximum for the top

19 mm maximum for the drawer front

8 - Cabling & ventilation system

Overview



Specific requirements

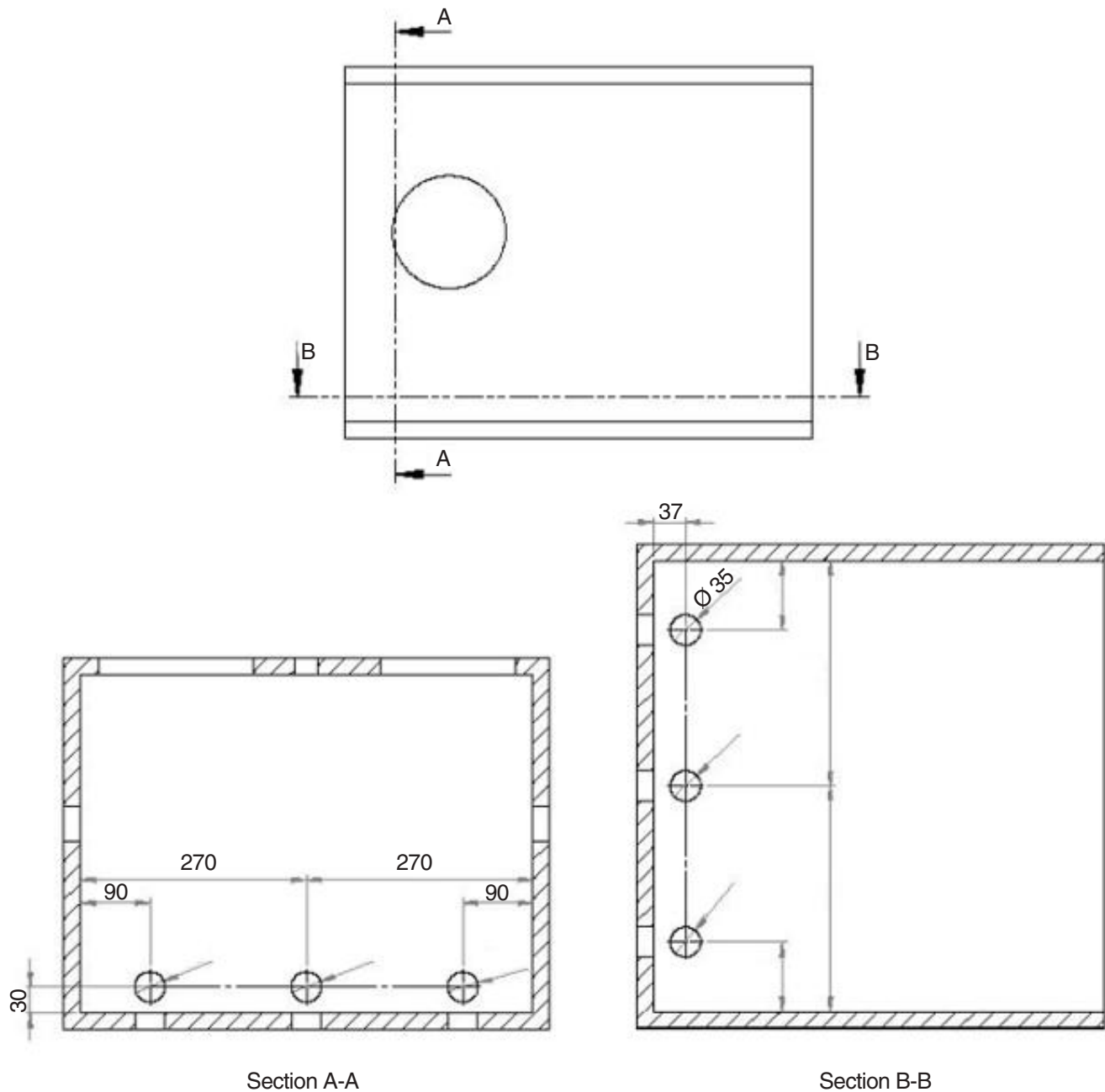
A indicates the locations of the entry points for the wiring.

B indicates possible fan locations - only one is required (left or right).

Hole plugging grids **B** will be required. **Not supplied by Ariane.**

8 - Cabling & ventilation system

Cut-out for cable ducts



Specific requirements

Here are the 6 possible inlets through which the terminal cables can be passed.

Note: there are 3 possibilities from the back of the bollard and 3 others from the underside. Only one entry is necessary.

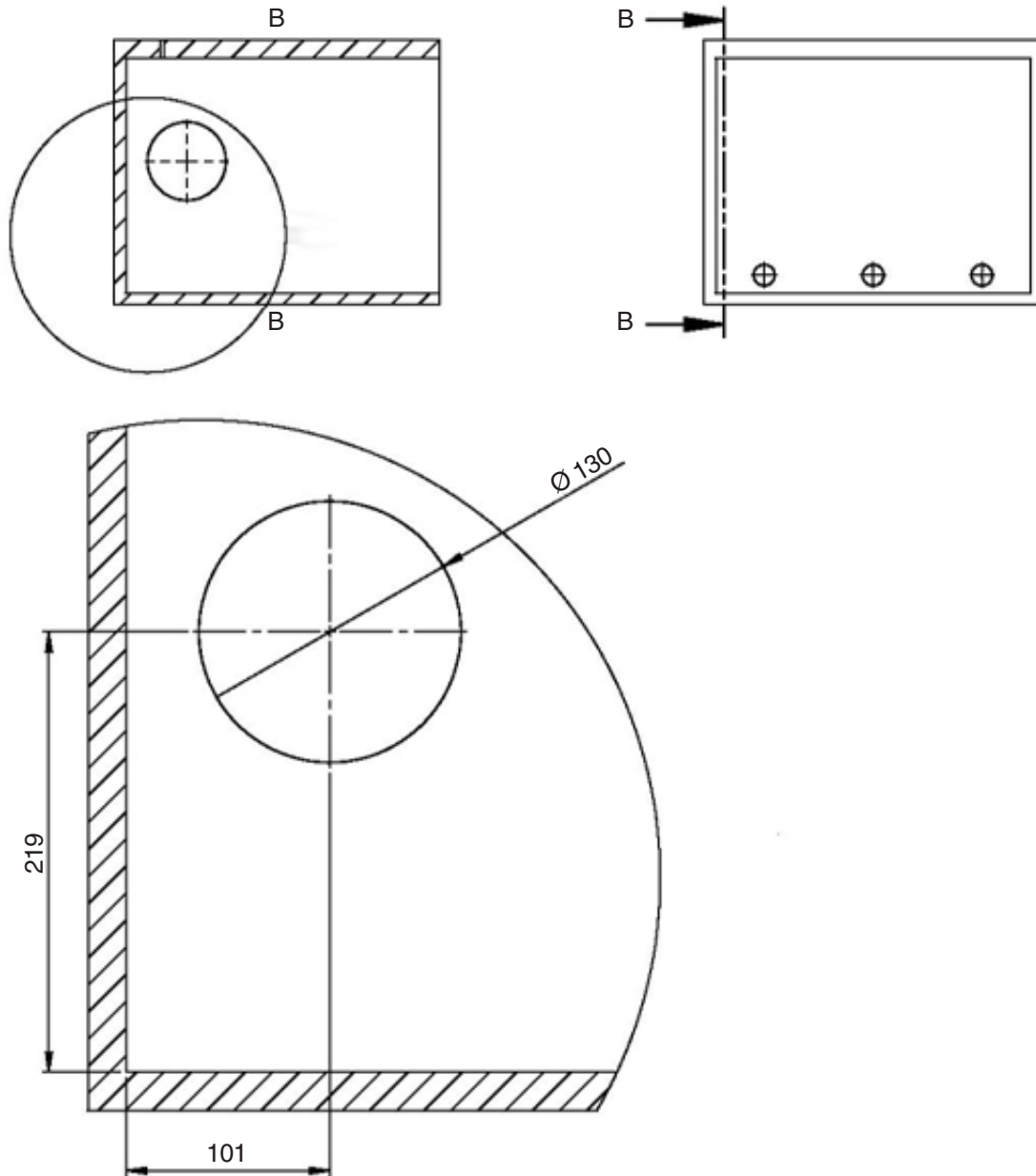
8 - Cabling & ventilation system

Overview



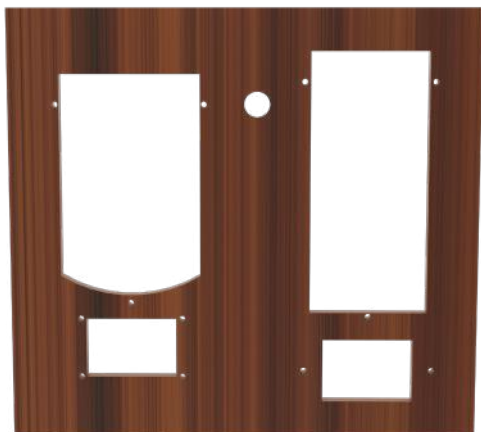
8 - Cabling & ventilation system

Cut-out for ventilation hole



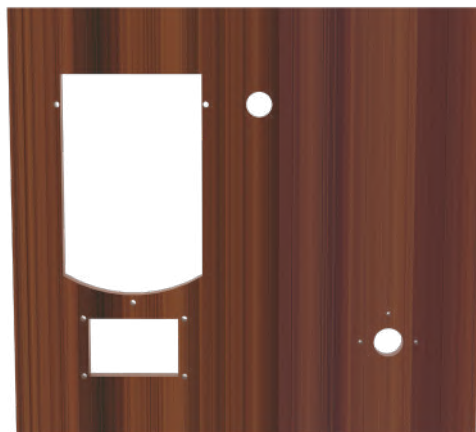
9 - Location of the Modules on the furniture shelf

All configurations



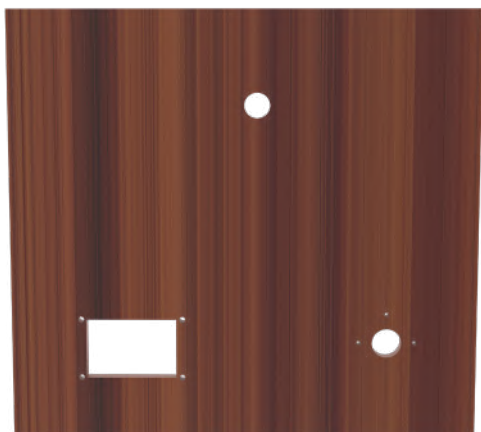
A

- Passport Scanner
- QR Code Reader
- 15" screen support
- Recessed Payment device



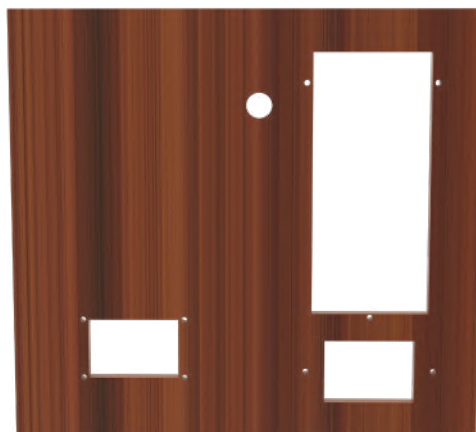
B

- Passport Scanner
- QR Code Reader
- 15" screen support
- Payment device on foot



C

- No Passport Scanner
- QR Code Reader
- 15" screen support
- Payment device on foot

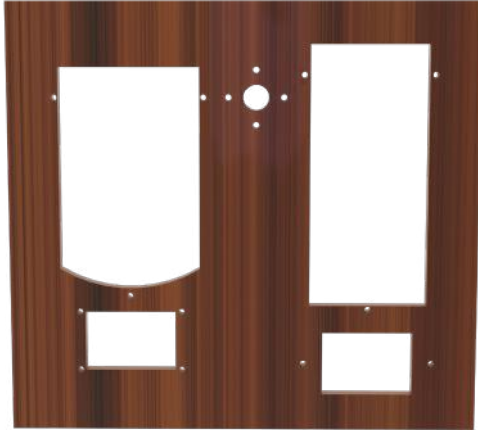


D

- No Passport Scanner
- QR Code Reader
- 15" screen support
- Recessed Payment device

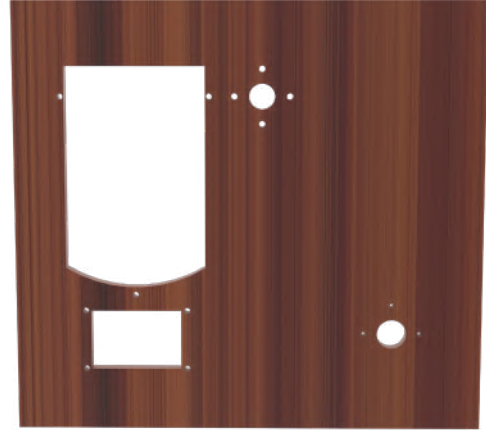
9 - Location of the Modules on the furniture shelf

All configurations



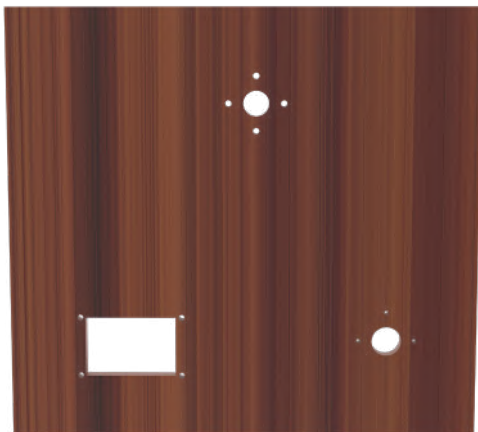
E

- Passport Scanner
- QR Code Reader
- 19 - 22" screen support
- Recessed Payment device



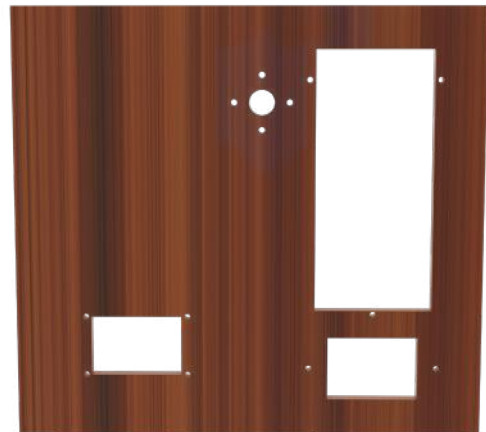
F

- Passport Scanner
- QR Code Reader
- 19 - 22" screen support
- Payment device on foot



G

- No Passport Scanner
- QR Code Reader
- 19 - 22" screen support
- Payment device on foot



H

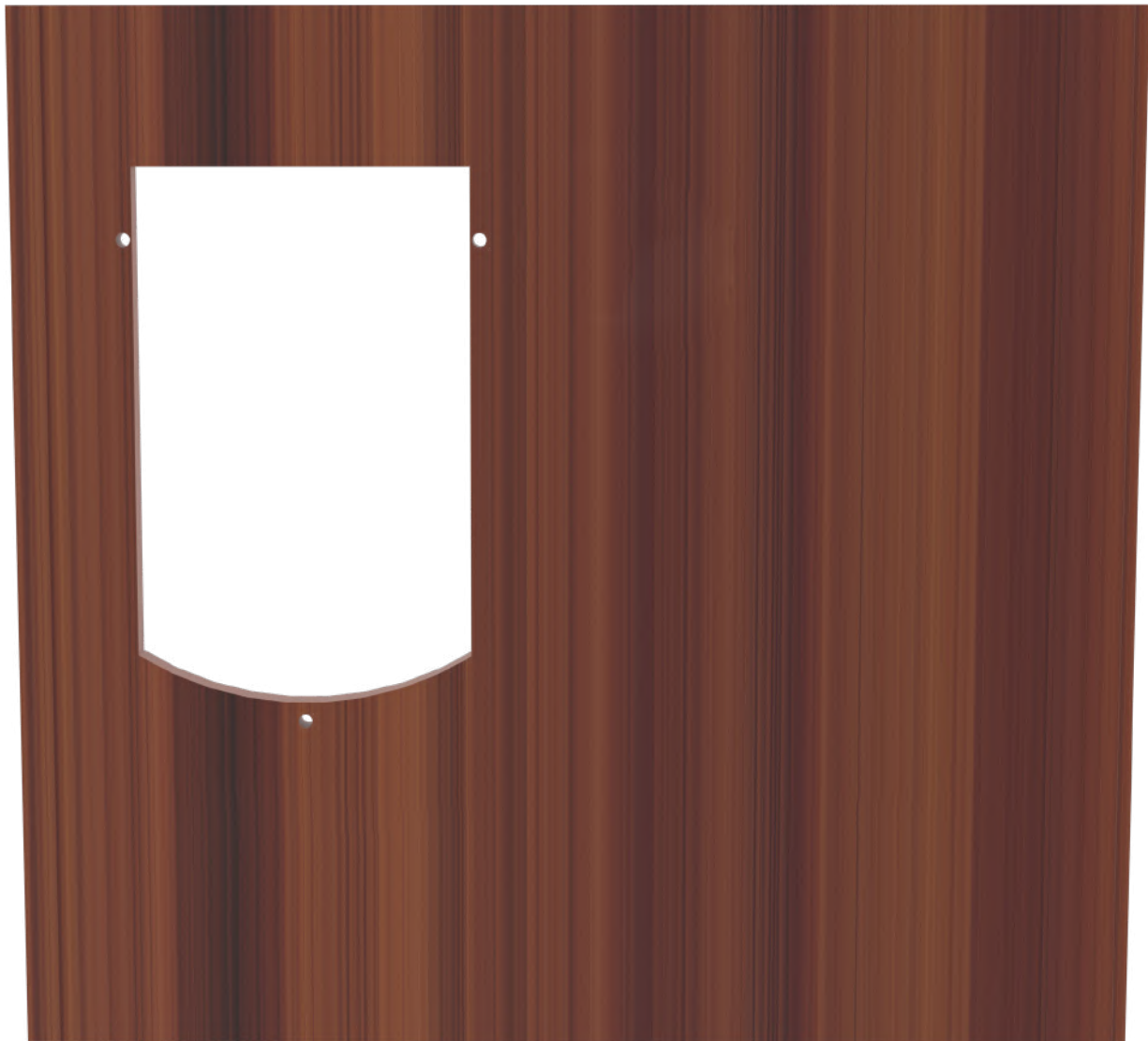
- No Passport Scanner
- QR Code Reader
- 19 - 22" screen support
- Recessed Payment device

9 - Location of the Modules on the furniture shelf

Cfg A, B, E, F

Passport Scanner location

Our state-of-the-art passport scanner is meticulously designed to ensure swift and accurate identification processes, streamlining security procedures with its advanced scanning capabilities.



Warning

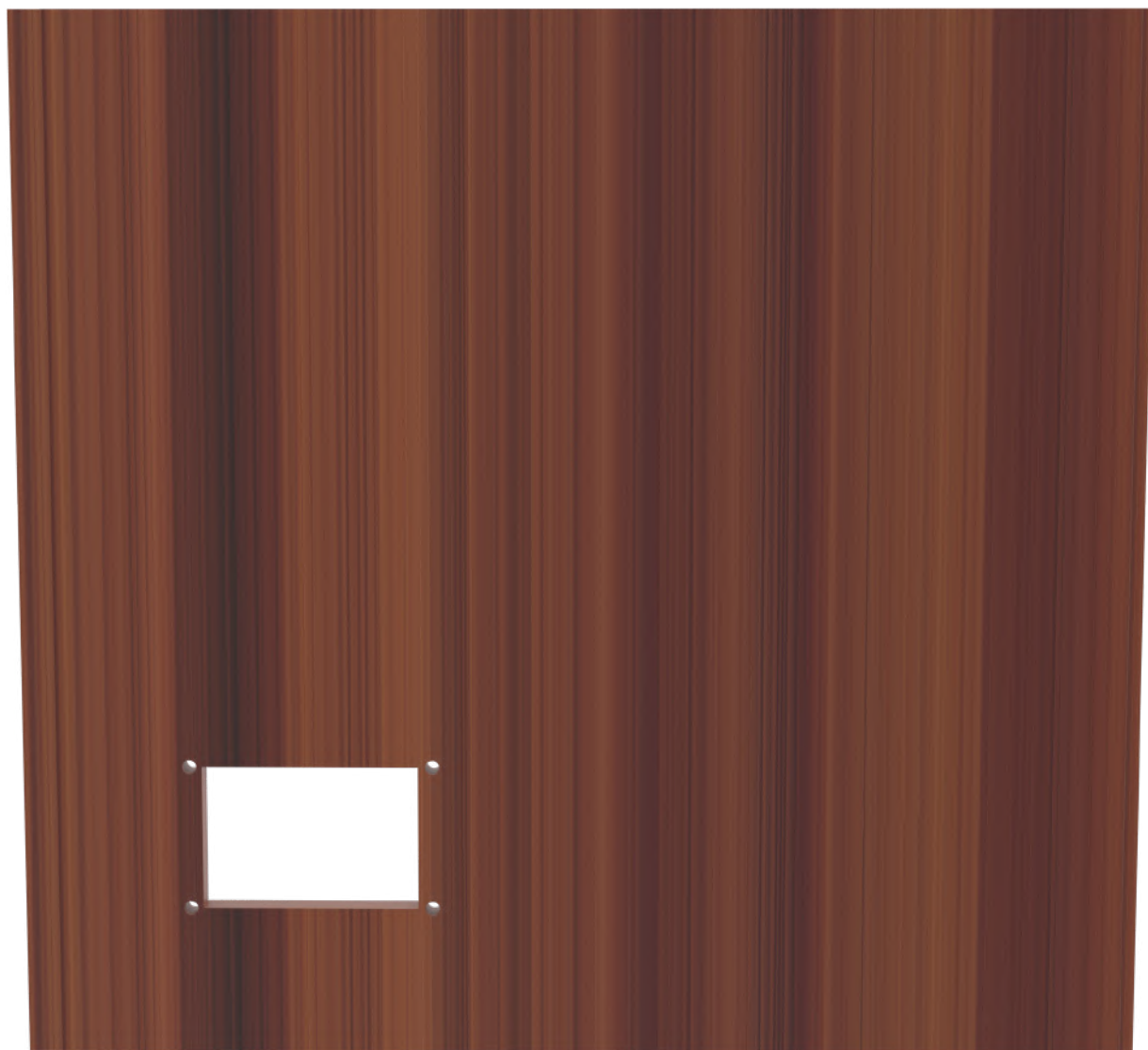
Please note that the location of each of these modules only needs to be drilled if you have chosen this option. Ask your Ariane contact in charge of the project to tell you which holes need to be drilled. Don't forget to refer to the nomenclature supplied separately with this user guide.

9 - Location of the Modules on the furniture shelf

Cfg A, B, C, D,
E, F, G, H

QR Code Reader location

Equipped with cutting-edge technology, our QR code reader offers seamless integration and effortless scanning, empowering businesses to effortlessly process transactions and access vital information with unparalleled efficiency.



Warning

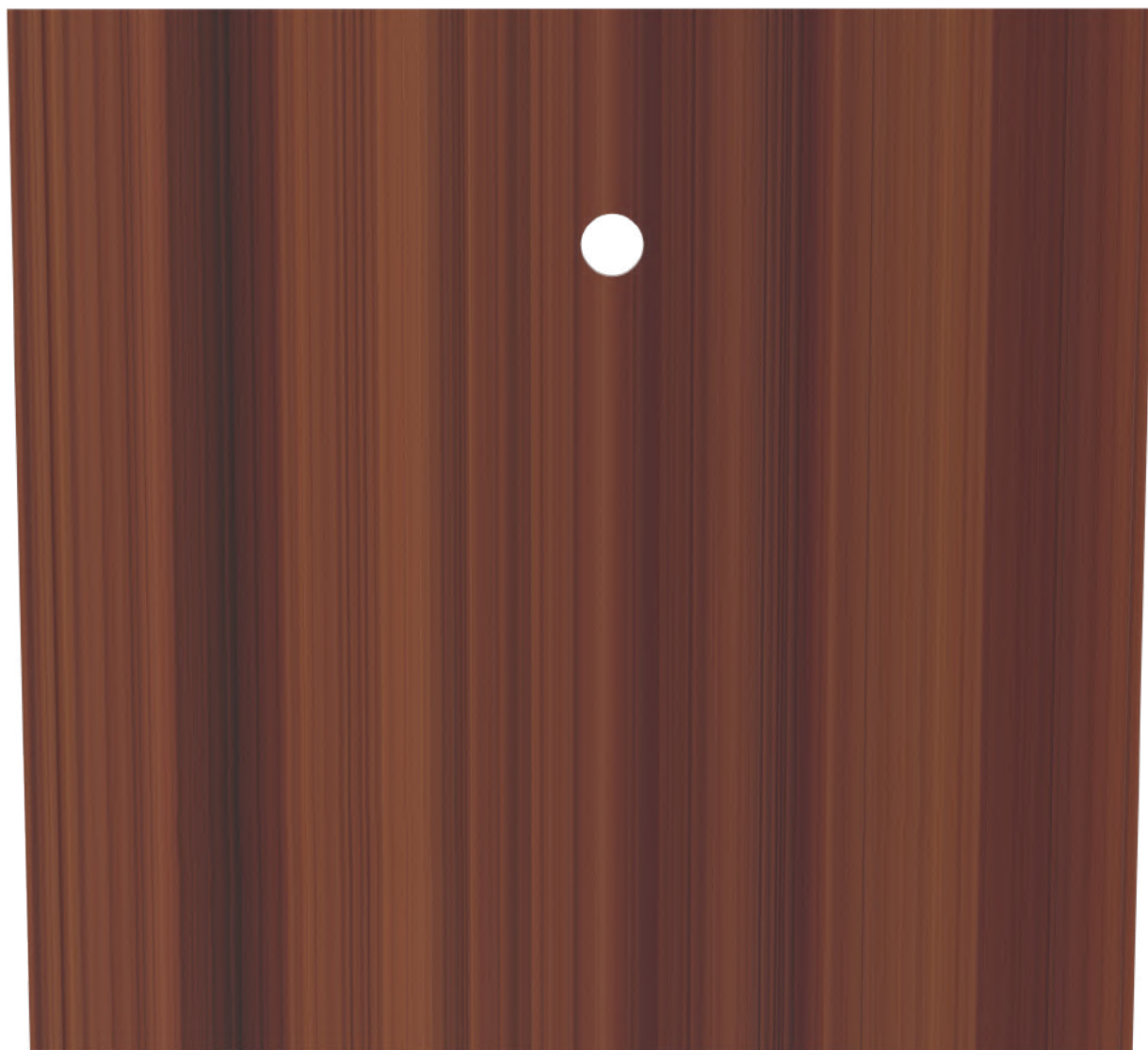
Please note that the location of each of these modules only needs to be drilled if you have chosen this option. Ask your Ariane contact in charge of the project to tell you which holes need to be drilled. Don't forget to refer to the nomenclature supplied separately with this user guide.

9 - Location of the Modules on the furniture shelf

Cfg A, B, C, D

Screen Support for 15" screen location

Please be aware that we offer various versions of screen supports tailored to accommodate different screen sizes. Whether you require support for a compact display or a larger screen, our range of screen supports ensures optimal stability and functionality for your specific needs.



Warning

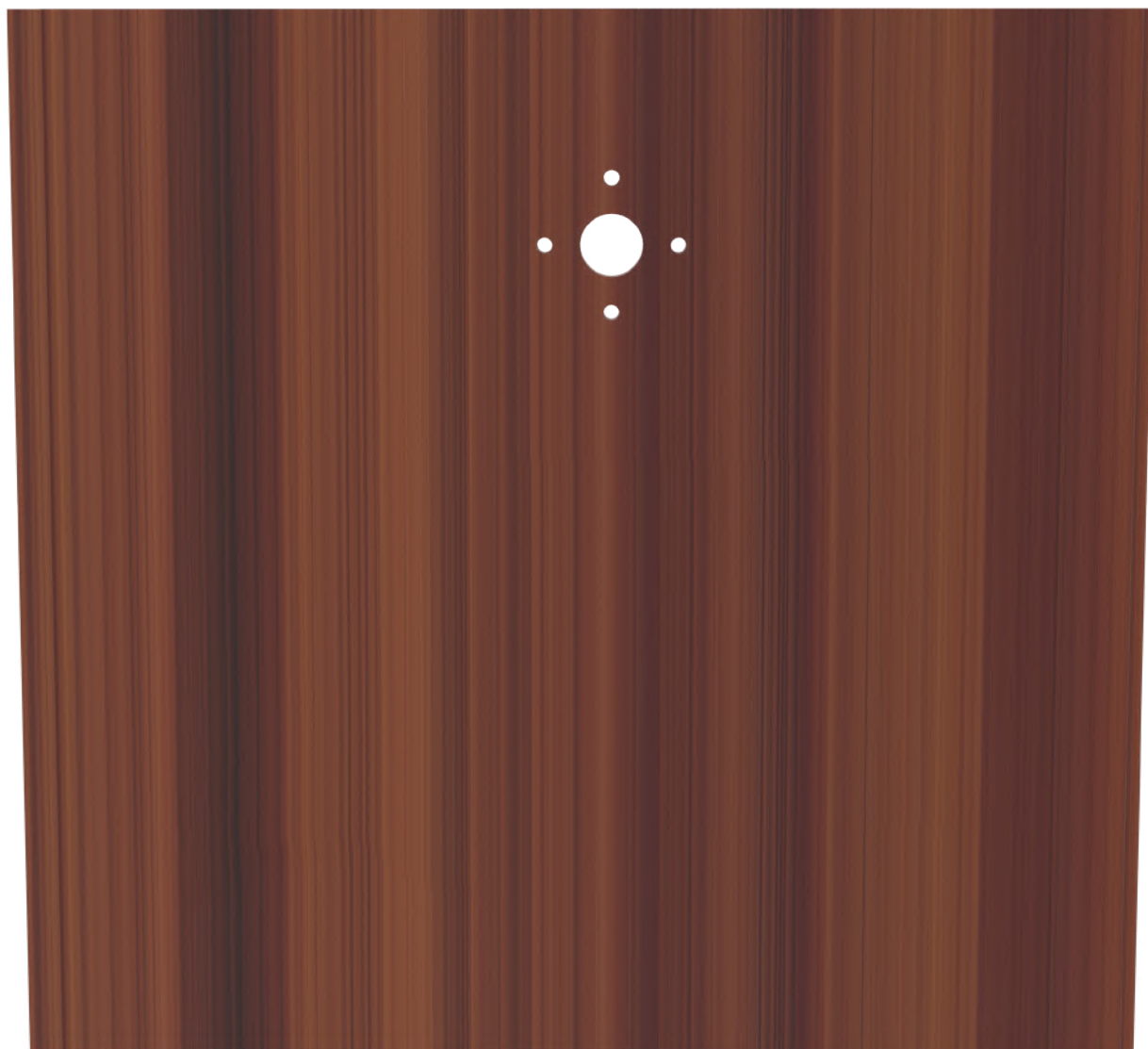
Please note that the location of each of these modules only needs to be drilled if you have chosen this option. Ask your Ariane contact in charge of the project to tell you which holes need to be drilled. Don't forget to refer to the nomenclature supplied separately with this user guide.

9 - Location of the Modules on the furniture shelf

Cfg E, F, G, H

Screen Support for 19 - 22" screen location

Please be aware that we offer various versions of screen supports tailored to accommodate different screen sizes. Whether you require support for a compact display or a larger screen, our range of screen supports ensures optimal stability and functionality for your specific needs.



Warning

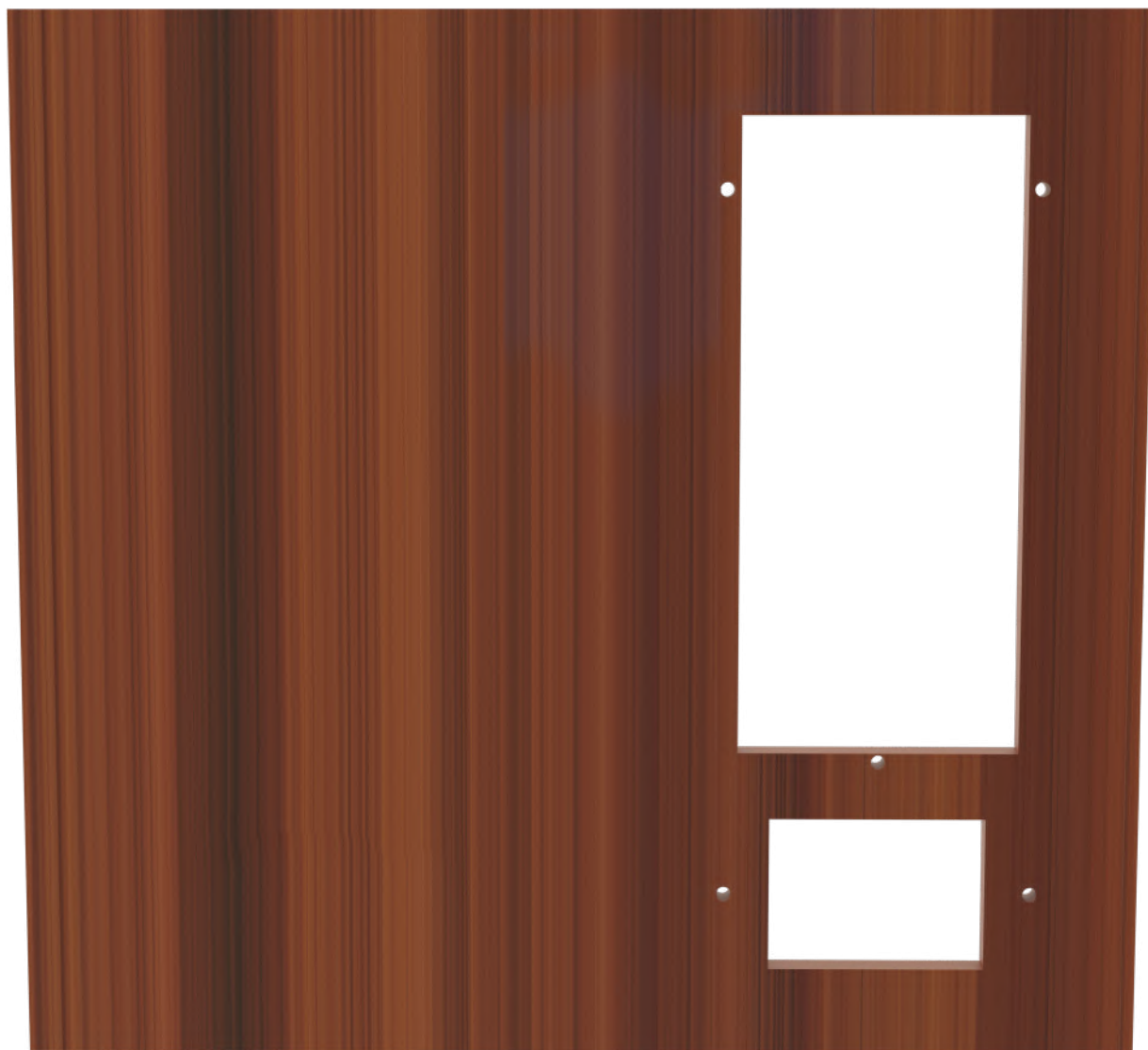
Please note that the location of each of these modules only needs to be drilled if you have chosen this option. Ask your Ariane contact in charge of the project to tell you which holes need to be drilled. Don't forget to refer to the nomenclature supplied separately with this user guide.

9 - Location of the Modules on the furniture shelf

Cfg A, D, E, H

Recessed Payment device location

Our recessed version of the payment device is ingeniously designed to seamlessly blend into your environment while offering secure payment processing. Its discreet profile enhances aesthetics without compromising on performance or security.



Warning

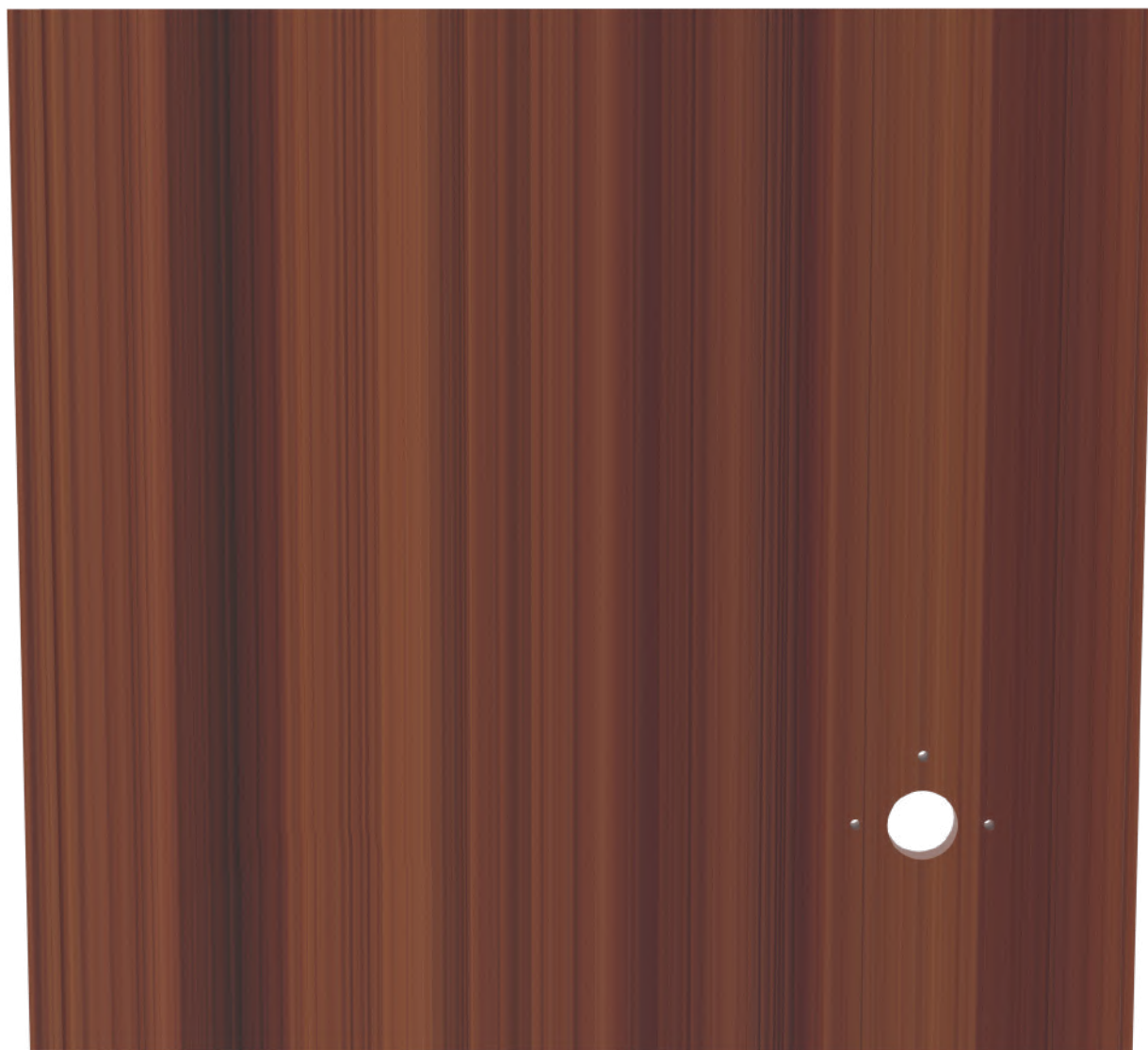
Please note that the location of each of these modules only needs to be drilled if you have chosen this option. Ask your Ariane contact in charge of the project to tell you which holes need to be drilled. Don't forget to refer to the nomenclature supplied separately with this user guide.

9 - Location of the Modules on the furniture shelf

Cfg B, C, F, G

Payment Device on Foot location

It's worth noting that we offer multiple versions of mounting feet to accommodate different payment device models. Whether you opt for a standalone payment terminal or a more integrated solution, our range of mounting feet provides sturdy support, ensuring optimal functionality and user convenience.



Warning

Please note that the location of each of these modules only needs to be drilled if you have chosen this option. Ask your Ariane contact in charge of the project to tell you which holes need to be drilled. Don't forget to refer to the nomenclature supplied separately with this user guide.

10 - Passport Scanner integration



Overview



Specific requirements

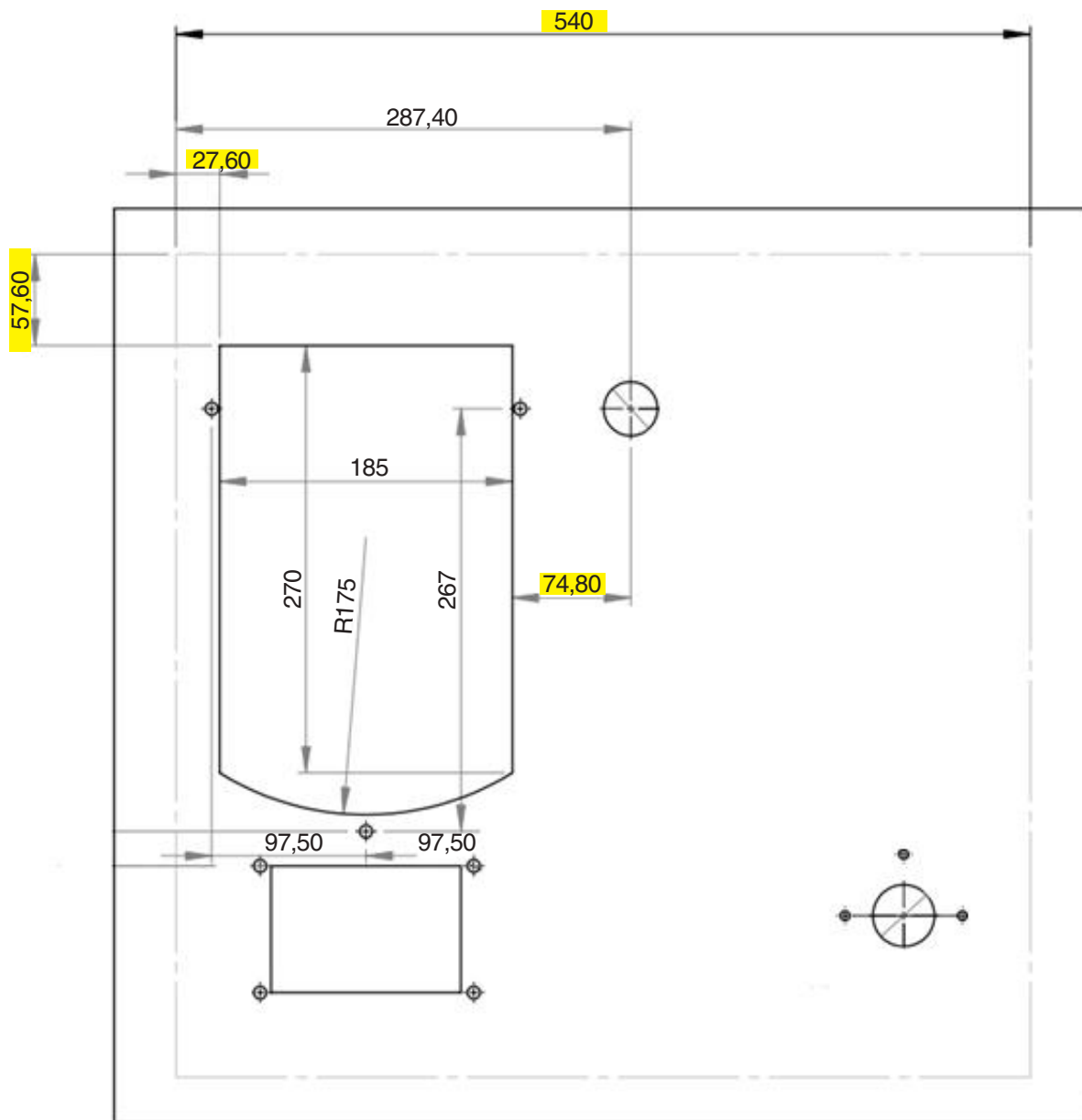
- The scanner must be placed on the left side of the table.
- This equipment is optional

Please double-check your contract before drilling, to make sure of the options you've taken.
In case of doubt/questions, please contact ARIANE SYSTEMS technique@ariane.com

10 - Passport Scanner integration



Cut-out for Passport Scanner



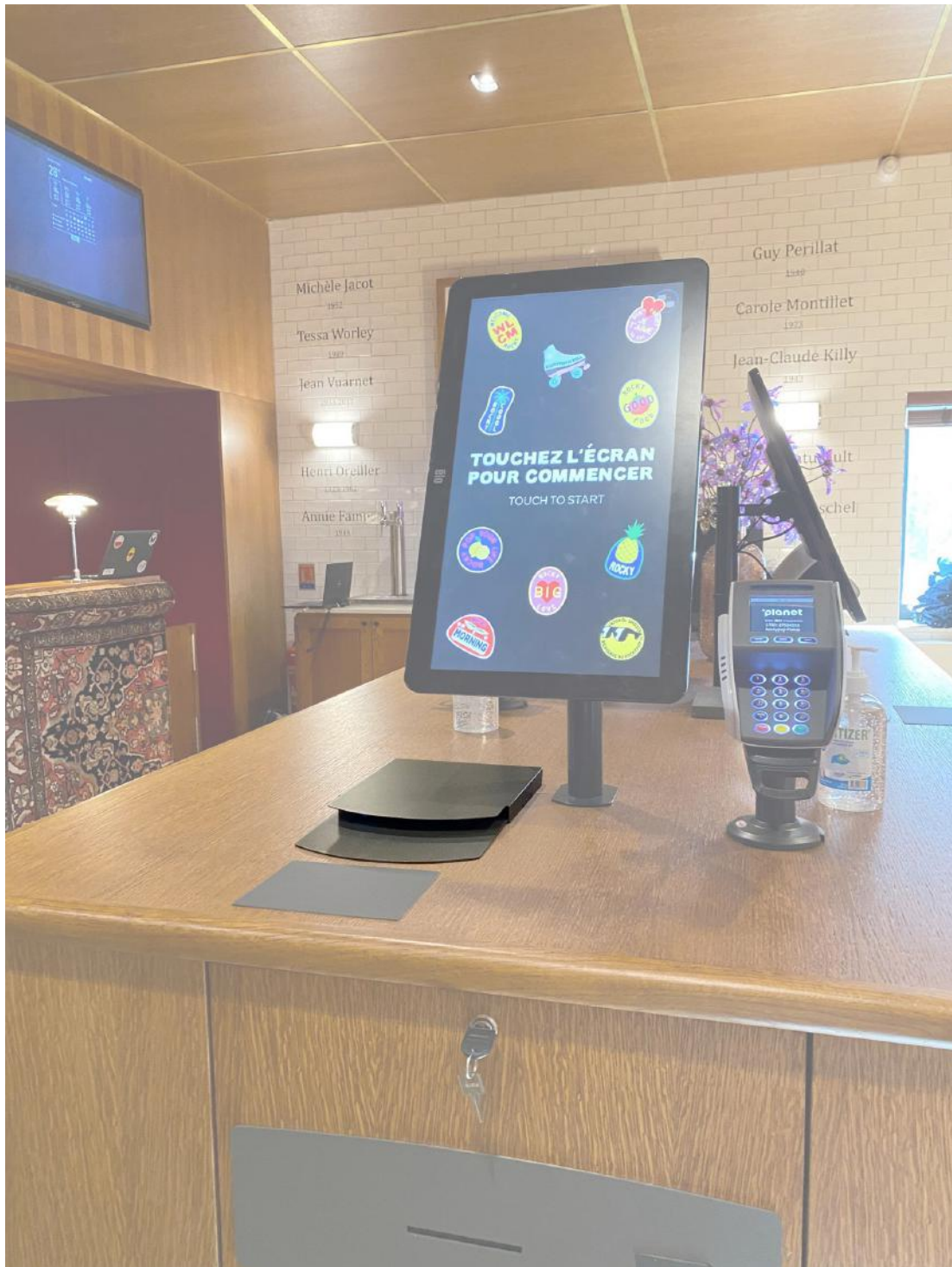
Specific requirements

The dimensions highlighted in yellow must be adapted to the thickness of the cabinet side panels. In this example, all the cabinet panels are 19 mm thick.

10 - Passport Scanner integration



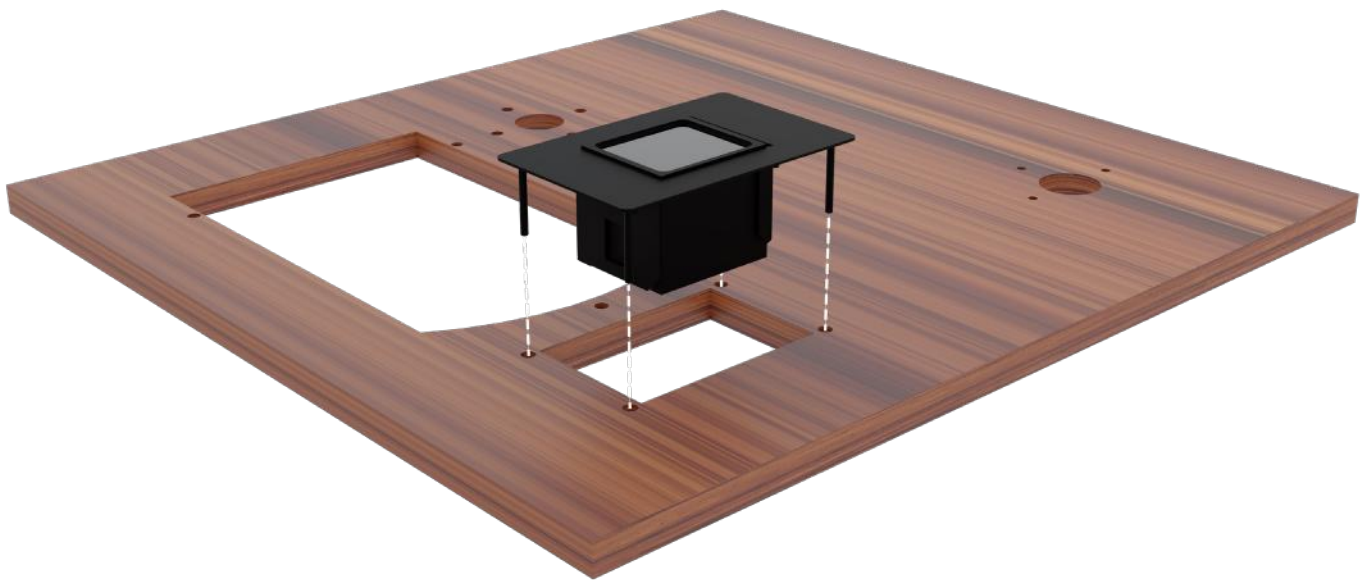
Example



11 - QR Code Reader integration



Overview



Specific requirements

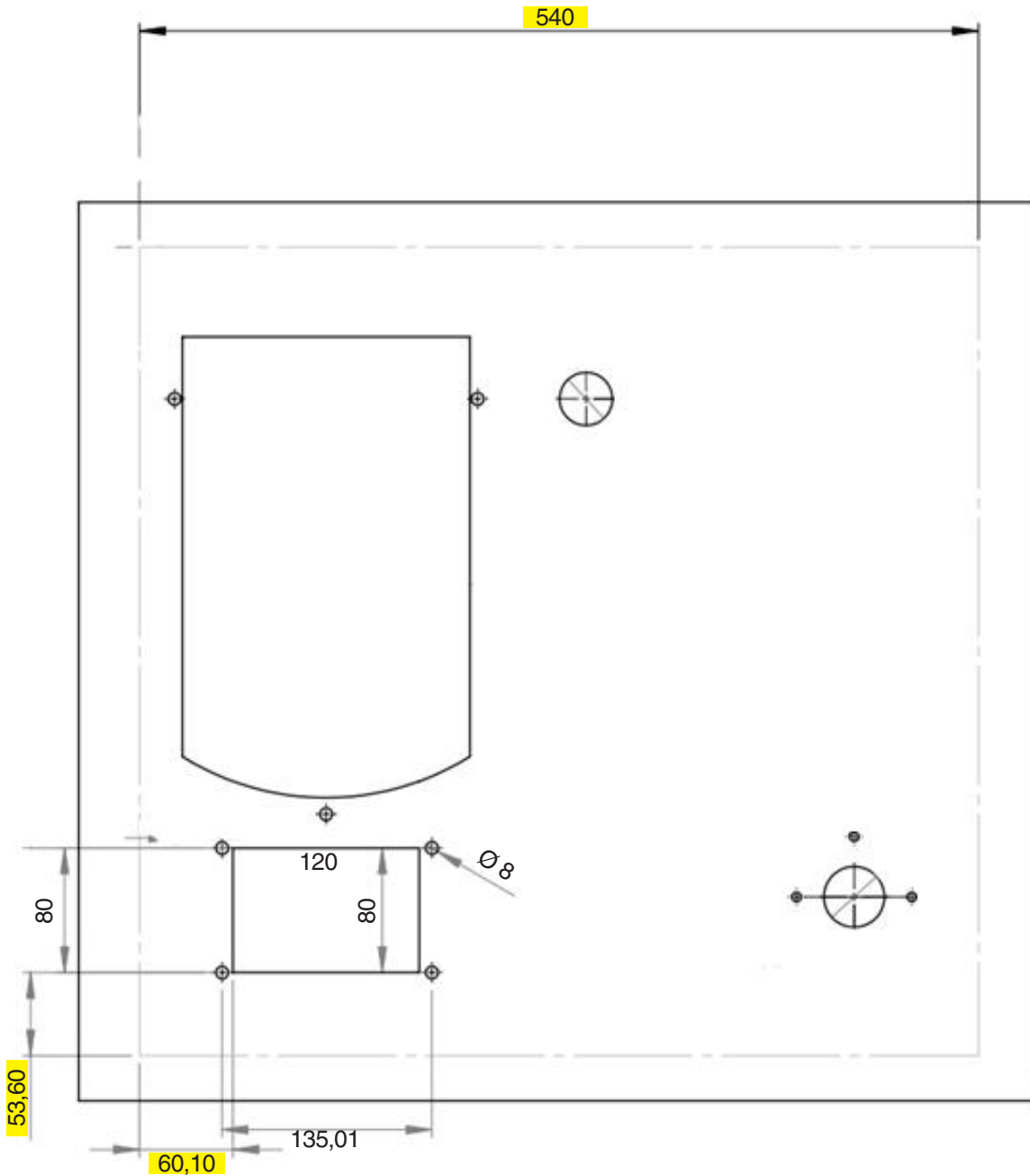
- The QR Code reader must be placed on the bottom left side of the table.
- This equipment is optional

Please double-check your contract before drilling, to make sure of the options you've taken.
In case of doubt/questions, please contact ARIANE SYSTEMS technique@ariane.com

11 - QR Code Reader integration



Cut-out for QR Code Reader



Specific requirements

The dimensions highlighted in yellow must be adapted to the thickness of the cabinet side panels. In this example, all the cabinet panels are 19 mm thick.

11 - QR Code Reader integration



Example

Top view



Below view



12 - Screen support 15" screen integration



Overview

The screen connection cables will also pass through this hole.



Specific requirements

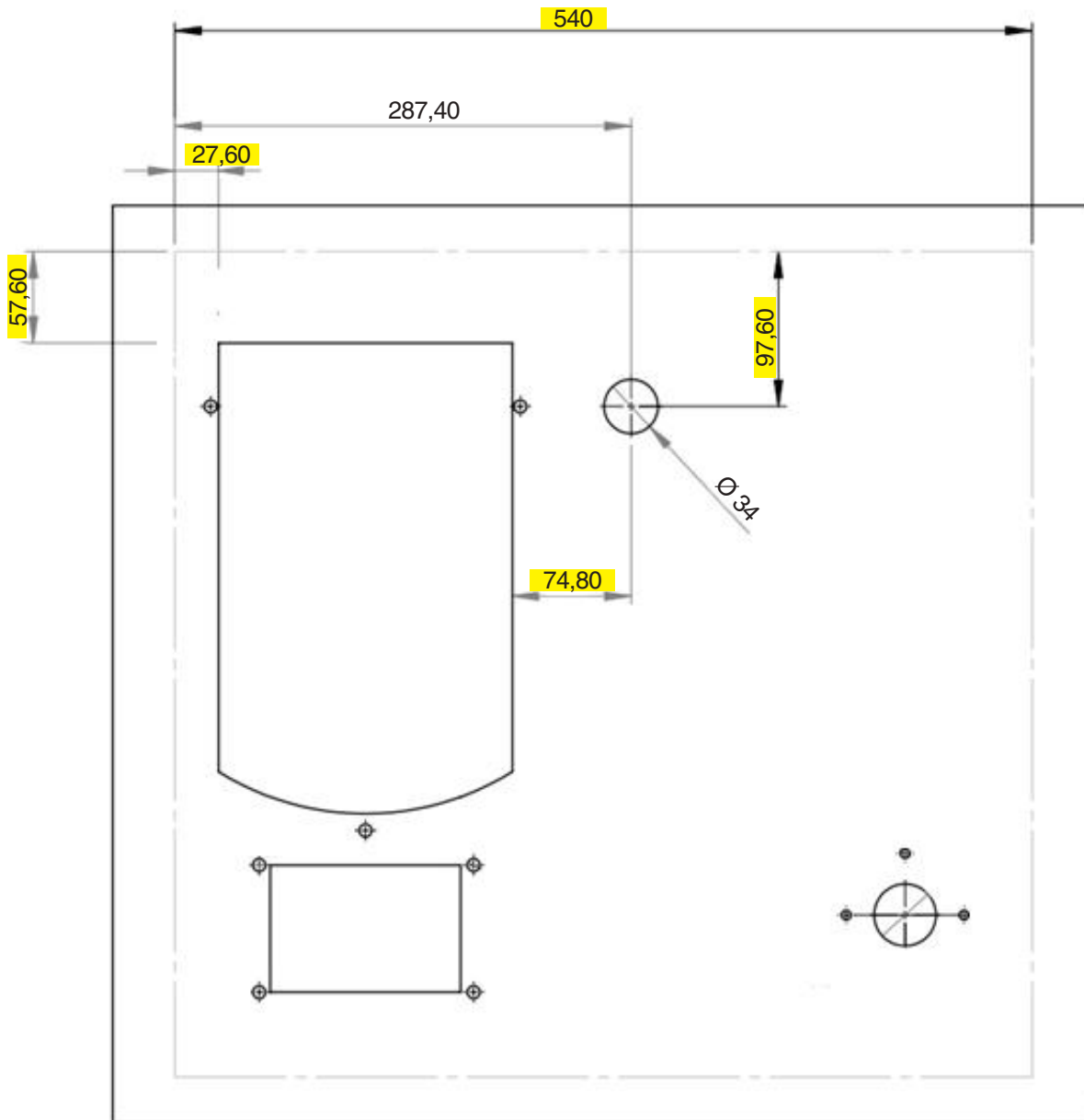
- The screen support must be placed on the top center of the table.

Please double-check your contract before drilling, to make sure of the options you've taken.
In case of doubt/questions, please contact ARIANE SYSTEMS technique@ariane.com

12 - Screen support 15" screen integration



Cut-out for screen support



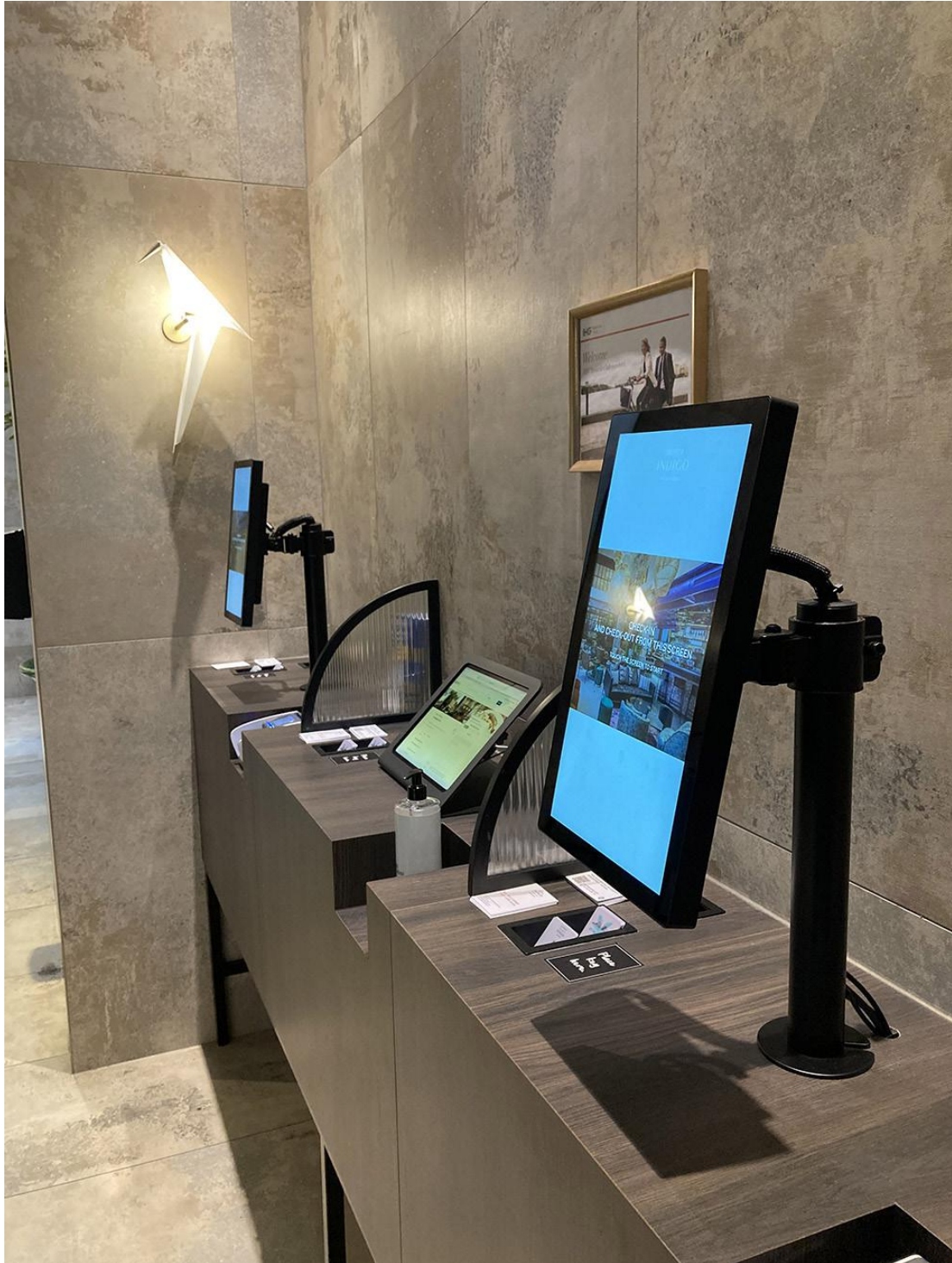
Specific requirements

The dimensions highlighted in yellow must be adapted to the thickness of the cabinet side panels. In this example, all the cabinet panels are 19 mm thick.

12 - Screen support 15" screen integration



Example



13 - Screen support 19-22" screen integration



Overview



Specific requirements

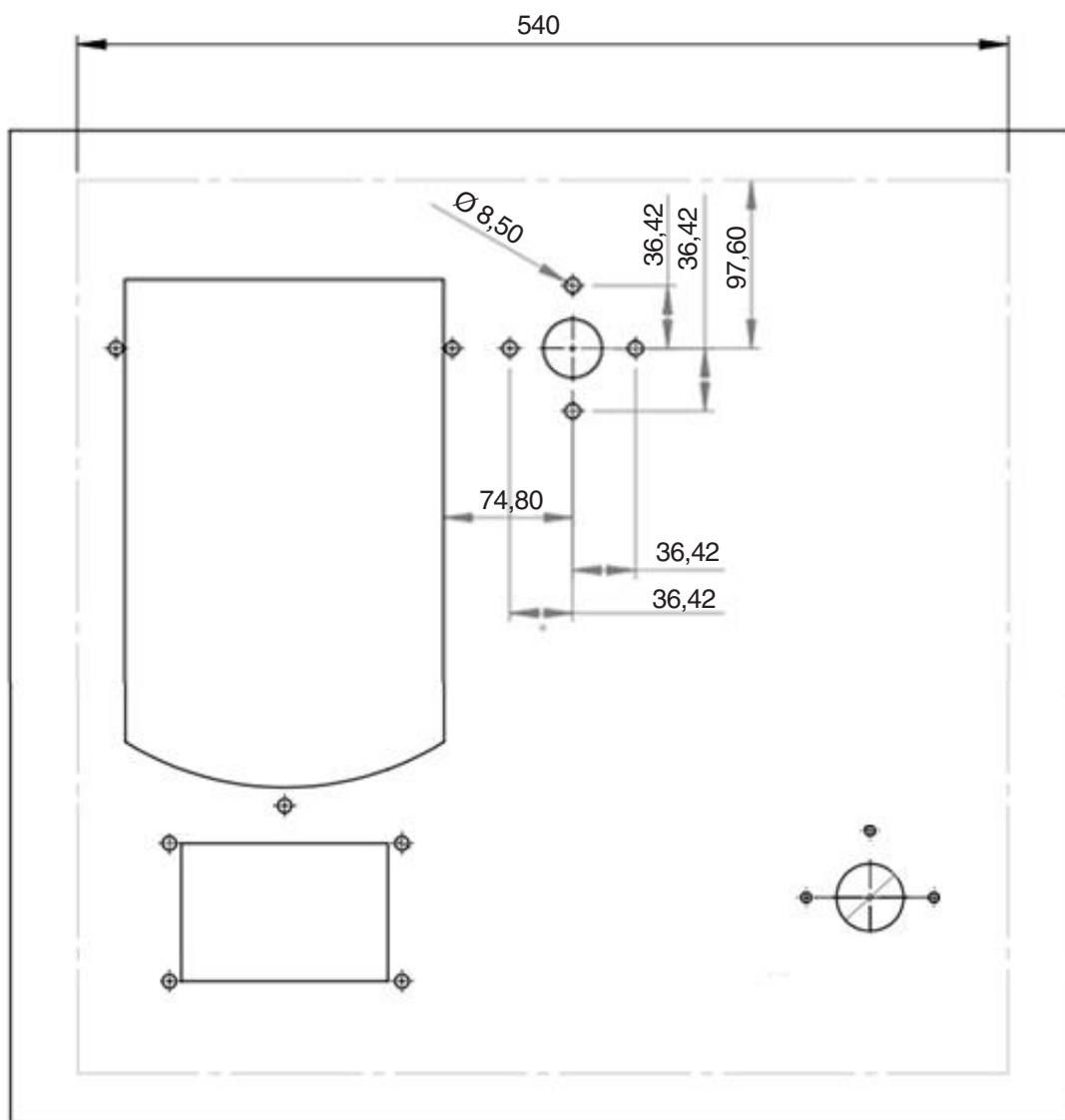
- The screen support must be placed on the top center of the table.

Please double-check your contract before drilling, to make sure of the options you've taken.
In case of doubt/questions, please contact ARIANE SYSTEMS technique@ariane.com

13 - Screen support 19-22" screen integration



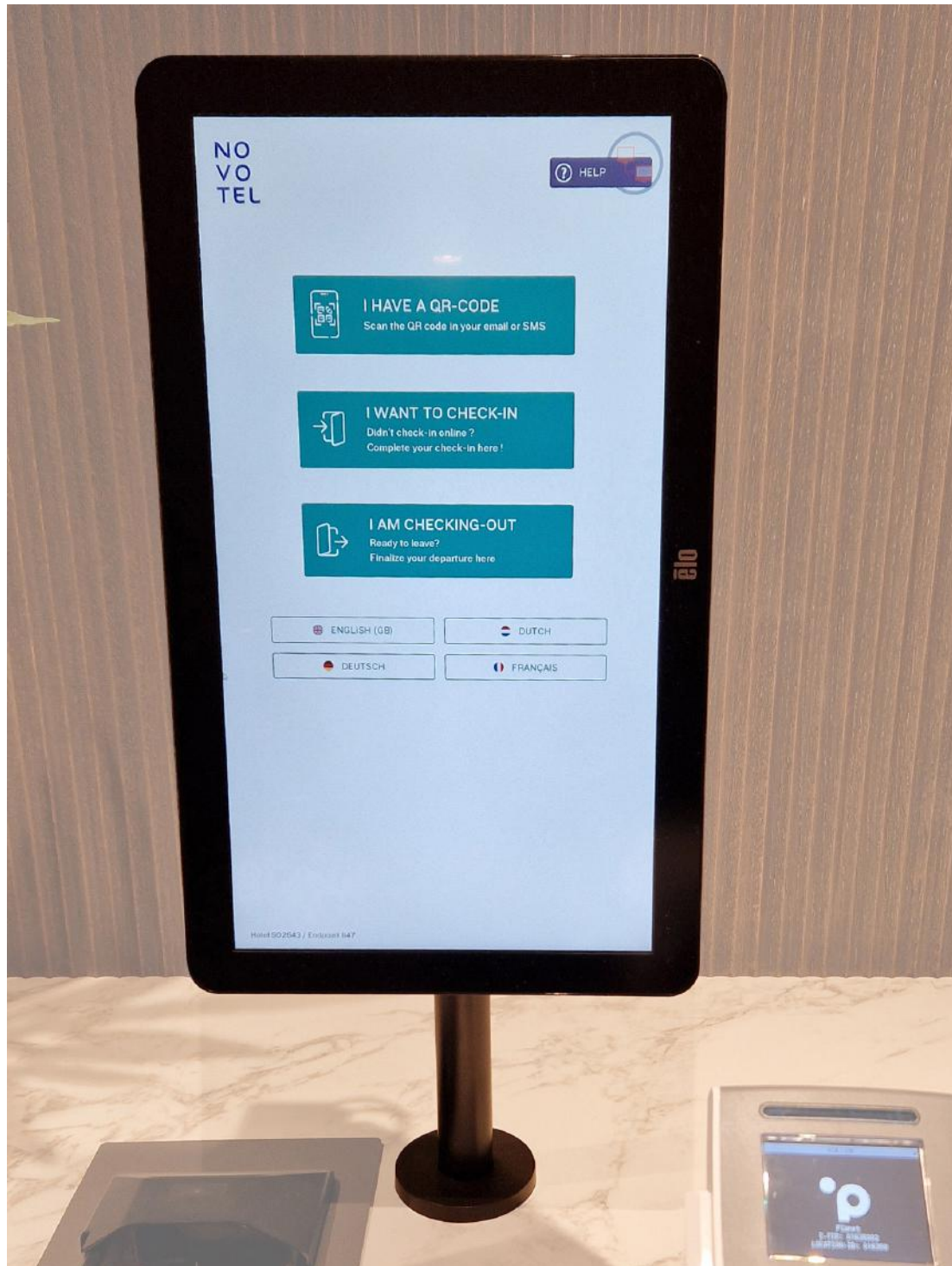
Cut-out for screen support



13 - Screen support 19-22" screen integration



Example



14 - Recessed payment device integration



Overview

The recessed version of the payment device offers a sleek and integrated solution for payment processing, designed to seamlessly blend into your workspace.

This option provides a discreet and space-saving installation, minimizing protrusions from the tabletop surface.



Specific requirements

- The recessed payment device must be placed on the right side of the table.
- This equipment is optional

Please double-check your contract before drilling, to make sure of the options you've taken.

In case of doubt/questions, please contact ARIANE SYSTEMS technique@ariane.com

14 - Recessed payment device integration



Example



15 - Payment device on Foot integration



Overview

The version of the payment device mounted on a foot offers versatility in placement and accessibility, providing a sturdy base for secure transactions (Non-contractual image).

This option allows for convenient positioning of the payment device on the tabletop surface, ensuring ease of use for both customers and operators.



Specific requirements

The fixing method is identical for all electronic payment terminal feet. Only the centre-to-centre distance between the fixing points changes.

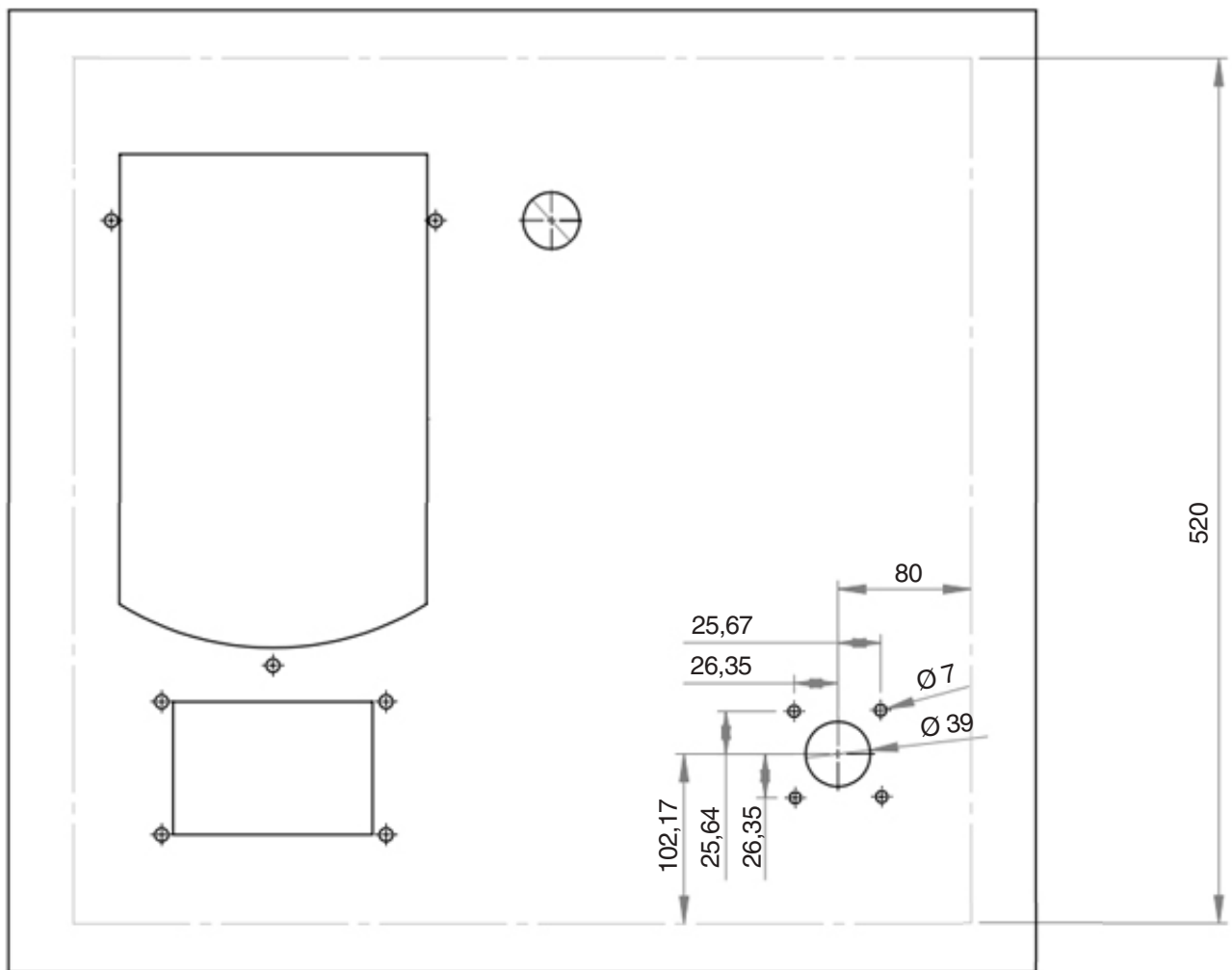
Please double-check your contract before drilling, to make sure of the options you've taken.

In case of doubt/questions, please contact ARIANE SYSTEMS technique@ariane.com

15 - Payment device on Foot integration



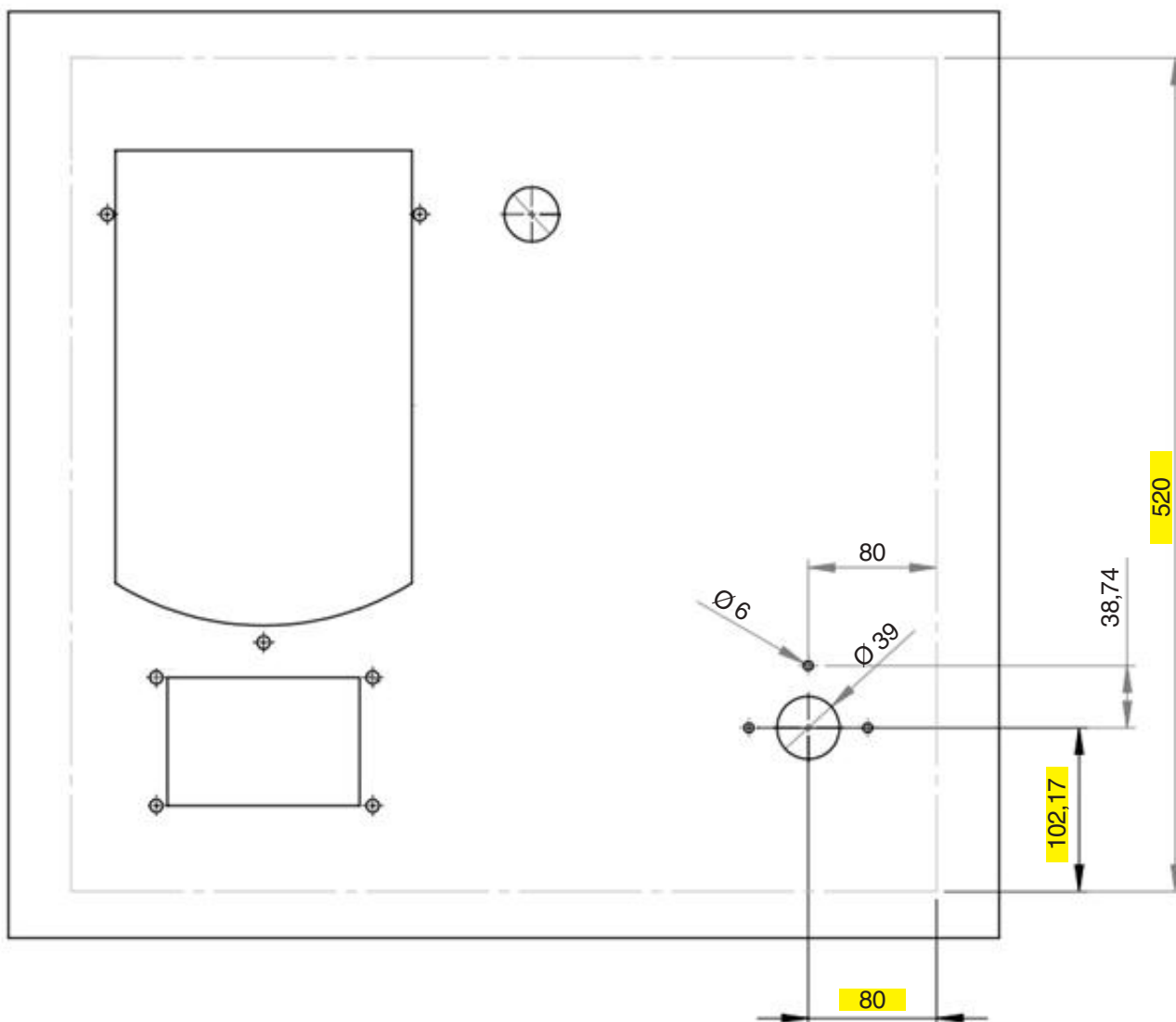
Cut-out for Yomani or Lane 3000 payment device stands



15 - Payment device on Foot integration



Cut-out for Pax A35 or Verifone P400 VSE terminals



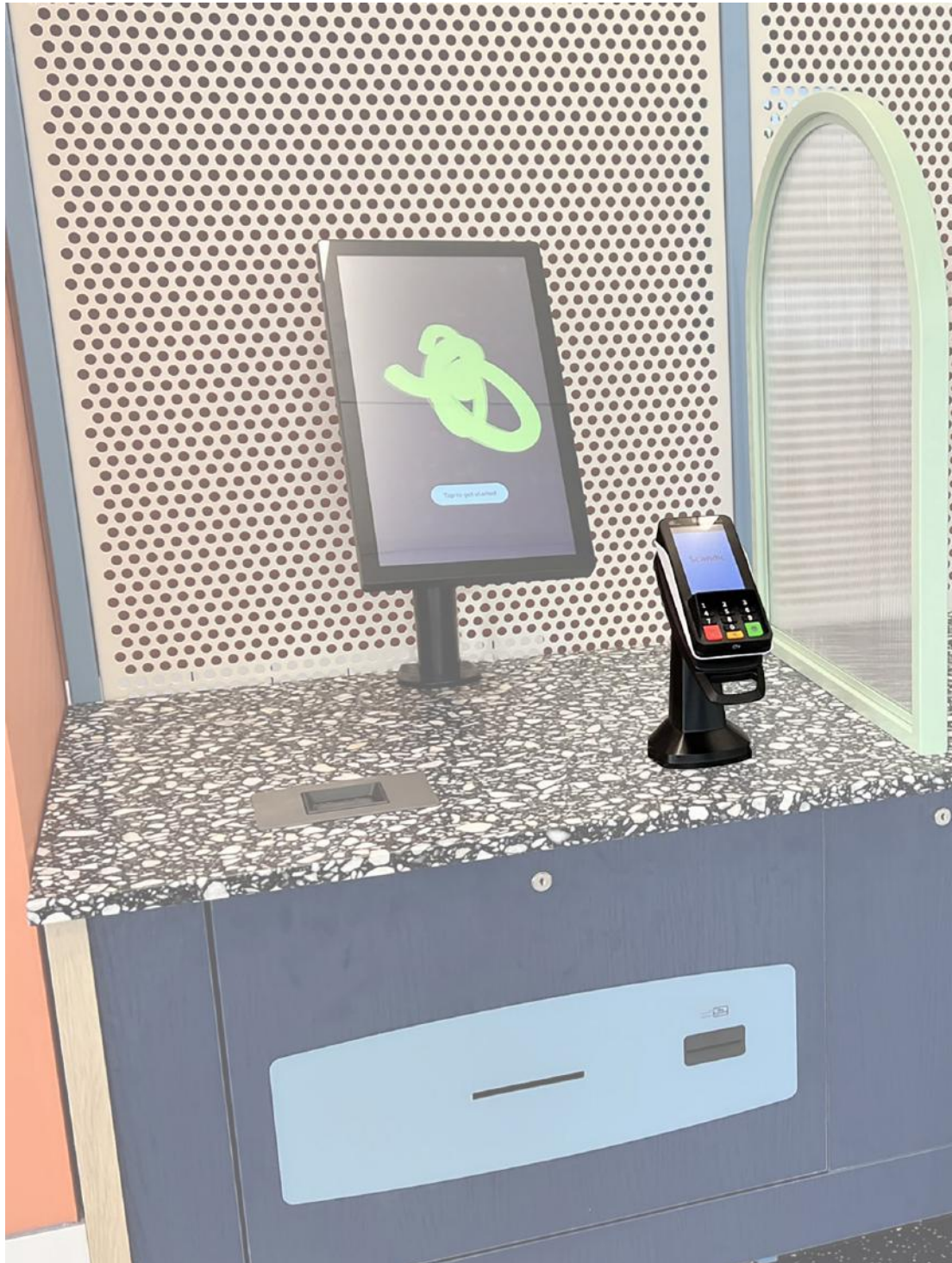
Specific requirements

The dimensions highlighted in yellow must be adapted to the thickness of the cabinet side panels. In this example, all the cabinet panels are 19 mm thick.

15 - Payment device on Foot integration



Example





The background image shows a modern hotel lobby with a central kiosk, a hanging sign that says "CHECK IN HERE", and large windows overlooking a city street. The Ariane logo, a stylized orange 'A', is positioned above the tagline "Enabling guest check-in experiences" in white text.

Ariane
Enabling guest check-in experiences

www.ariane.com